



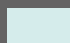
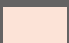
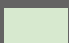
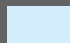
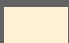
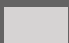
TECHNO&DECO

design w rytmie światła



MAXLIGHT

RODZAJ LAMP / TYPE OF LAMP

 NATYNKOWA / SURFACE MOUNTED	 WPUSTOWA / RECESSED	 KINKIET / WALL LAMP
 WISZĄCA / SUSPENDED	 SZYNOWA / TRACK LIGHT	 SYSTEMY SZYNOWE 3F I AKCESORIA / 3-circuits TRACK SYSTEM and ACCSESORIES

WYKOŃCZENIE / FINISHES	BIAŁY	CZARNY	ZŁOTY	BRAZOWY	CHROM	METAL SZCZOTKOWANY
	WH WHITE	BK BLACK	SG GOLD	BR BROWN	PCR POLISHED CHROME	BM BRUSHED METAL

RODZAJE ŻARÓWEK / BULB TYPE	 GU 5,3	 AR111 GU10	 H0112 LED MODULE	 GU 10
-----------------------------	--	--	--	---

OZNACZENIA / SYMBOLS

	LED ZINTEGROWANY Z OPRAWĄ (MOC) / INTERGATED LED (POWER)
	ZAWIERA ZSILACZ LED / LED DRIVER INCLUDED
	WYMIENNE ŹRÓDŁO ŚWIATŁA - RODZAJ OPRAWKI / REPLACEABLE LIGHT SOURCES - LAMP HOLDER
	MAKSYMALNA MOC OPRAW ZE ŹRÓDŁEM WYMIENNYM / MAX POWER
	NAPIĘCIE ZASILAJĄCE / INPUT VOLTAGE
	STRUMIEŃ ŚWIETLNY / LUMENS OUTPUT
	TEMPERATURA BARWOWA / COLOR TEMPERATURE
	WSKAŹNIK ODDAWANIA BARW / COLOR RENDERING INDEX
	MOŻLIWOŚĆ OBROTU/NACHYLENIA / TILT OR ROTATION
	IP KLASA SZCZELNOŚCI OPRAWY / RATES INGRESS PROTECTION
	KĄT ROZSYŁU ŚWIATŁA / BEAM ANGLE
	MOŻLIWOŚĆ ŚCIEMNIANIA, ZASILACZ ŚCIEMNIALNY W KOMPLECIE / DIMMABLE LAMP, DIMMABLE DRIVER INCLUDED. LAMPA NIE ZAWIERA ŚCIEMNIACZA ŚCIENNEGO W KOMPLECIE / WALL DIMMER NOT INCLUDED. OPT. - ŚCIEMNIANIE ZALEŻNE OD ZASTOSOWANEGO ŹRÓDŁA ŚWIATŁA / DIMMING DEPENDS ON THE LIGHT SOURCE USES
	ROZMIAR OTWORU MONTAŻOWEGO / MOUNTING HOLE DIMENSIONS
	PIERŚCIEŃ DEKORACYJNY W ZESTAWIE / DECORATIVE RING INCLUDED
	MODEL 3D / 3D MODEL
	PLIK FOTOMETRYCZNY IES / IES PHOTOMETRIC DATA FILE

*** lampa nie zawiera żarówek / bulbs excluded



STREFA 1 / ZONE 1 - IP65

STREFA 2 / ZONE 2 - IP44

STREFA 3 / ZONE 3 - IP20

STREFA I

OBEJMUJE OBSZAR KĄPIELOWY. OŚWIETLENIE W TEJ STREFIE MUSI POSIADAĆ MINIMALNY STOPIEŃ CHRONIĄCY PRZED ROZPRYSKAMI IP44, JEDNAK ZALECA SIĘ WYŻSZY STOPIEŃ OCHRONY IP65.

ZONE I

INCLUDES THE BATHING AREA. LIGHT FIXTURES IN THIS ZONE MUST BE A MINIMUM RATING OF IP44 SPRAY PROOF, HOWEVER HIGHER RATING OF IP65 IS RECOMMENDED.

STREFA II

ROZCIĄGA SIĘ NA 60 CM OD GRANICY STREFY I, A TAKŻE OTACZA UMYWALKĘ. OPRAWY OŚWIETLENIOWE W TEJ STREFIE MUSZĄ BYĆ BRYZGOSZCZELNE. WYMAGANY STOPIEŃ OCHRONY TO IP44.

ZONE II

EXTENDS 60 CM FROM THE BOUNDARY OF ZONE I AND ALSO SURROUNDS THE WASH BASIN. LIGHT FIXTURES IN THE ZONE MUST BE SPLASH-PROOF. THE REQUIRED DEGREE OF PROTECTION IS IP44.

STREFA III

TO POZOSTAŁA PRZESTRZEŃ ŁAZIENKI. W TEJ STREFIE MOŻNA STOSOWAĆ TAKIE SAME OPRAWY, JAK W NORMALNYCH WARUNKACH DOMOWYCH

ZONE III

IS THE REST OF THE BATHROOM SPACE. THE SAME LIGHT FIXTURES AS IN NORMAL HOUSEHOLD CONDITIONS CAN BE USED IN THIS ZONE.

LAMPY NATYNKOWE / SURFACE MOUNTED



LONG
9



LINEAR
11



ARTU
13



BARRO
15



LOVE
17



DOT
19



PLAZMA
21



MARVEL
23



SHINEMAKER
25



TUB
27



CHIP
29



PET ROUND
31



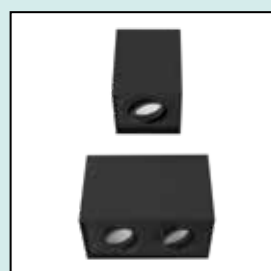
KODAK
33



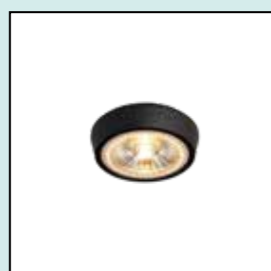
ROUNDY
35



BASIC ROUND
37



BASIC SQUARE
39



CHARON
41



FORM
43



ETNA
45

LAMPY WPUSTOWE / RECESSED



TIME
49



PLAZMA
51



SHINEMAKER
53



AQUA
55



ARYA
57

LAMPY WPUSTOWE / RECESSED



BELLATRIX LED MODULE
59



BELLATRIX SIDE
59



BELLATRIX BATH
61



BELLATRIX TILTED
63



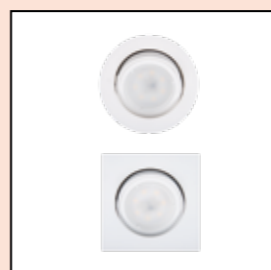
YUCA
65



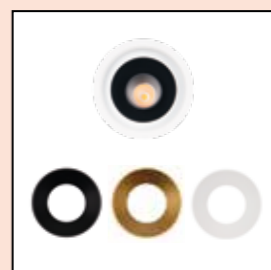
CYKLOP
67



DEEP
69



FINE
71



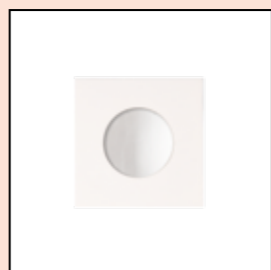
GALEXO
73



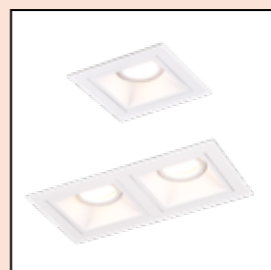
SIGNAL
75



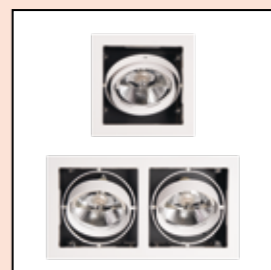
HIDEN
77



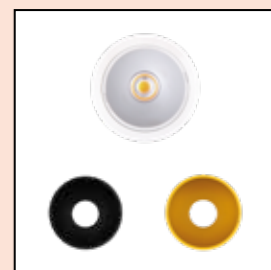
SQUARE
79



HIT
81



MATRIX
83

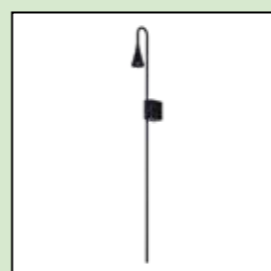


PAXO
85

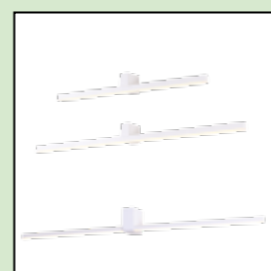
KINKIETY / WALL LAMP



ARAXA
89



COMET
91



FINGER
92



LINEAR
95



HANA
96



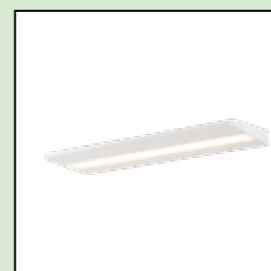
RIDER
97



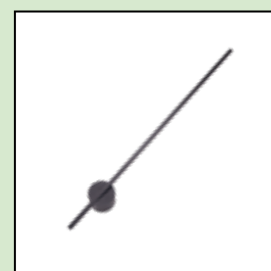
SABRE
99



SALVADOR
100



SHELF
101



SPIDER
103

KINKIETY / WALL LAMP



SUPERIOR
105



TOP
107

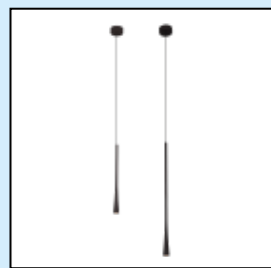


ZAFIRA
108

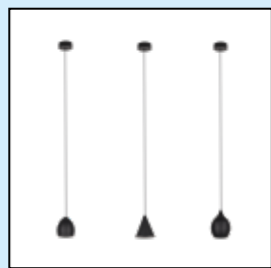


ZONE
109

LAMPY WISZĄCE / SUSPENDED



COFFE
113



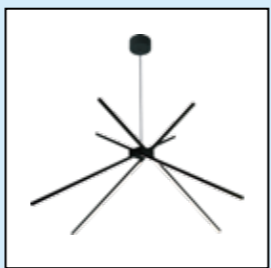
COMET
115



HANA
116



FIGARO
117



SPIDER
119

LAMPY SZYNOWE / TRACK LIGHT



LINEAR
125



SHINEMAKER
127



OTIUM
129



CHARON
131



PISTOL
132



MARVEL
133

SYSTEMY OŚWIETLENIA SZYNOWEGO 3F MAXLIGHT / 3F MAXLIGHT TRACK LIGHTING SYSTEMS



MHT1-AD-BK
/MHT1-AD-WH
146



MHT1-A-BK
/MHT1-A-WH
146



MHT1-C/L-BK
/MHT1-C/L-WH
146



MHT1-C/R-BK
/MHT1-C/R-WH
146



MHT1-I-BK
/MHT1-I-WH
146



MHT1-IL-BK
/MHT1-IL-WH
146



MHT1-KIT-BK
/MHT1-KIT-WH
146



MHT1-L/L-BK
/MHT1-L/L-WH
146



MHT1-L/R-BK
/MHT1-L/R-WH
146



MHT1-N-BK
/MHT1-N-WH
146



MHT1-P15-BK
/MHT1-P15-WH
147



MHT1-P30-BK
/MHT1-P30-WH
147



MHT1-P50-BK
/MHT1-P50-WH
147



MHT1-P1-BK
/MHT1-P1-WH
147



MHT1-P2-BK
/MHT1-P2-WH
147



MHT1-T/L-BK
/MHT1-T/L-WH
147



MHT1-T/R-BK
/MHT1-T/R-WH
147



MHT1-X-BK
/MHT1-X-WH
147



MHT1-100-BK
/MHT1-100-WH
147



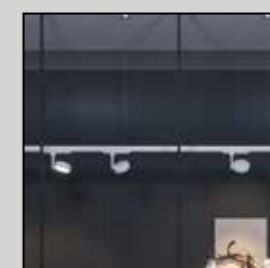
MHT1-200-BK
/MHT1-200-WH
147



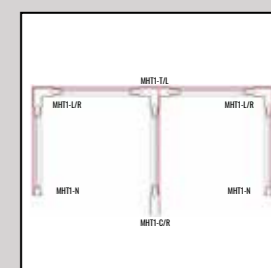
MHT1-300-BK
/MHT1-300-WH
147



SYSTEM SZYNOWY
NATYNKOWY
136-137



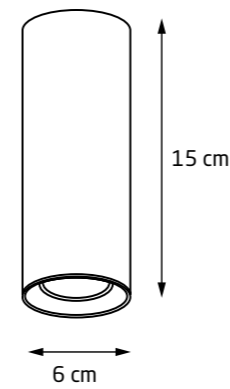
SYSTEM SZYNOWY
ZAWIESZANY
138-139



SYSTEMY SZYNOWE
PRZYKŁADY
140-145



LAMPY NATYNKOWE
/
SURFACE MOUNTED



C0153 +
RC0153/C0154
BLACK



C0153 +
RC0153/C0154
GOLD



C0153 +
RC0153/C0154
WHITE



C0154 +
RC0153/C0154
BLACK



C0154 +
RC0153/C0154
GOLD



C0154 +
RC0153/C0154
WHITE



RC0153/C0154
BLACK



RC0153/C0154
GOLD



RC0153/C0154
WHITE

LONG

		LED int(W)	INC	⚡	adj°	☀️	🌈	CRI	💧	🔺	🕒	👁️	3D	IES
C0153	WH	7W	✓	230V	—	572lm	3000K	80	IP20	35°	—	—*	✓	✓
C0154	BK	7W	✓	230V	—	572lm	3000K	80	IP20	35°	—	—*	✓	✓
RC0153/C0154	WH												✓	
RC0153/C0154	BK												✓	
RC0153/C0154	SG												✓	

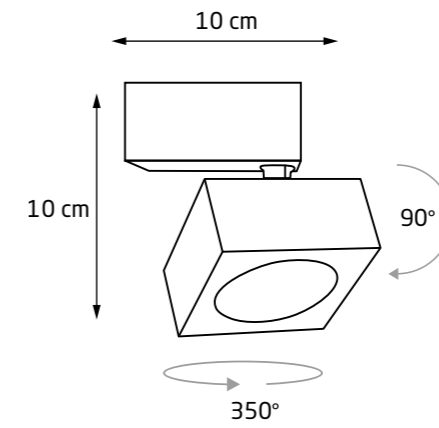
* nie zawiera pierścienia w komplecie



LINEAR		LED int(w)	INC	⚡	adj°	☀️	🌈	CRI	IP	📐	📦	IES	
C0124	WH	18W	✓	230V	—	1300lm	4000K	80	IP20	100°	—	✓	✓
C0124D	WH	18W	✓	230V	—	1300lm	4000K	80	IP20	100°	TRIAC	✓	✓
C0190	BK	18W	✓	230V	—	1300lm	4000K	80	IP20	100°	—	✓	✓
C0190D	BK	18W	✓	230V	—	1300lm	4000K	80	IP20	100°	TRIAC	✓	✓

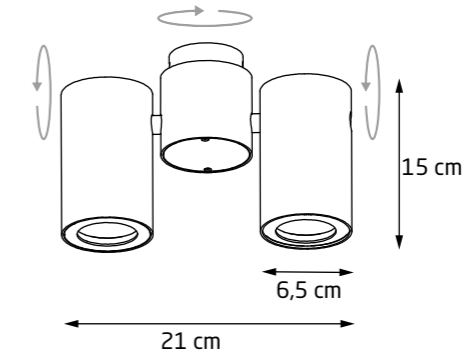


LINEAR		LED int(w)	INC	⚡	adj°	☀️	🌈	CRI	IP	📐	📦	IES	
C0125	WH	36W	✓	230V	—	2700lm	4000K	80	IP20	100°	—	✓	✓
C0125D	WH	36W	✓	230V	—	2700lm	4000K	80	IP20	100°	TRIAC	✓	✓
C0175	BK	36W	✓	230V	—	2700lm	4000K	80	IP20	100°	—	✓	✓
C0175D	BK	36W	✓	230V	—	2700lm	4000K	80	IP20	100°	TRIAC	✓	✓

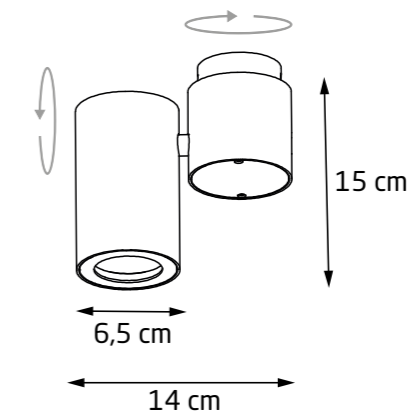


ARTU

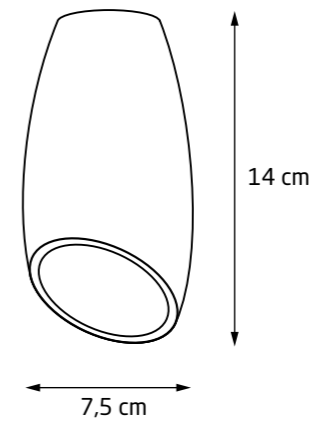
		LED int(W)	INC	⚡	adj°	☀️	🌈	CRI	💧	📐	📦	IES	
C0106	WH	15W	✓	230V	✓	1000lm	3000K	80	IP20	90°	—	✓	—
C0191	BK	15W	✓	230V	✓	1000lm	3000K	80	IP20	90°	—	✓	—










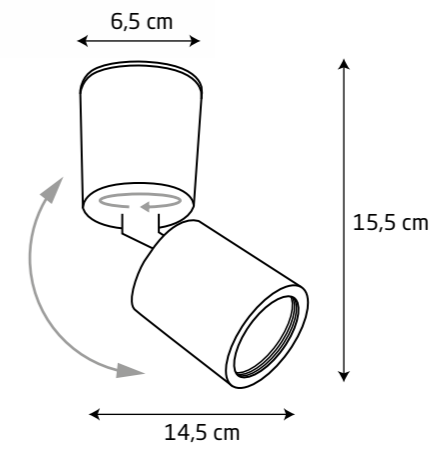
BARRO								
C0113	WH	GU10	2 x 50W	230V	✓	IP20	OPT.	✓
C0114	BK	GU10	2 x 50W	230V	✓	IP20	OPT.	✓




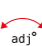





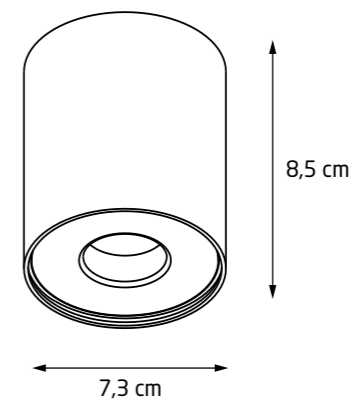
BARRO								
C0036	WH	GU10	50W	230V	✓	IP20	OPT.	✓
C0035	BK	GU10	50W	230V	✓	IP20	OPT.	✓



LOVE								
C0158	WH	GU10	50W	230V	—	IP20	OPT.	✓
C0159	BK	GU10	50W	230V	—	IP20	OPT.	✓

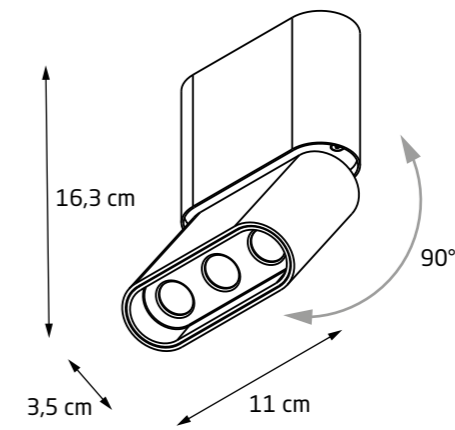


DOT								
C0123	WH	GU10	50W	230V	✓	IP20	OPT.	✓
C0157	BK	GU10	50W	230V	✓	IP20	OPT.	✓



PLAZMA

		LED int(W)	INC	⚡	adj°	☀️	🌈	CRI	💧	📐	🌀	3D	IES
C0151	WH	13W	✓	230V	—	572lm	3000K	90	IP54	20°	—	✓	✓
C0152	BK	13W	✓	230V	—	572lm	3000K	90	IP54	20°	—	✓	✓



MARVEL

C0150

BK

LED
int(0)

INC
✓

230V

✓

706lm

3000K

90

IP20

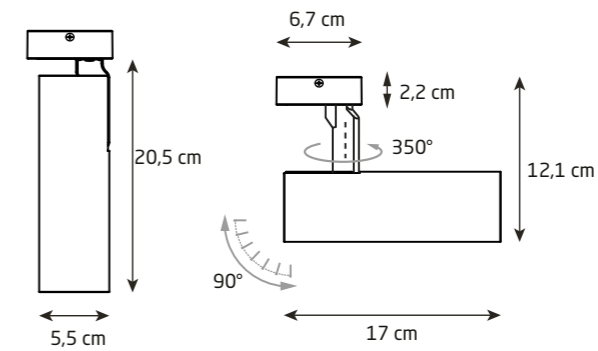
18°

—

✓

✓

✓



SHINEMAKER

		LED int(W)	INC	⚡	adj*	☀	☀	CRI	💧	🔺	🌀	👁	3D	IES
C0209	WH	15W	✓	230V	✓	1327lm	3000K	90+	IP20	36°	TRIAC	✓	✓	✓
C0210	BK	15W	✓	230V	✓	1327lm	3000K	90+	IP20	36°	TRIAC	✓	✓	✓
HONEYCOMB												✓		
RING GOLD	SG											✓		



6,5 cm

6 cm

RC0155/C0156 WHITE

RC0155/C0156 BLACK

RC0155/C0156 BLACK

RC0155/C0156 GOLD

TUB	LED Int(W)	INC	⚡	adj°	☀️	🌈	CRI	💧	🔺	📐	👁️	3D	IES	
C0155	WH	7W	—	230V	—	572lm	3000K	80	IP20	35°	—	✓	✓	✓
C0211	BK	7W	—	230V	—	572lm	3000K	80	IP20	35°	—	✓	✓	✓
RC0155/C0156	WH											✓		
RC0155/C0156	BK											✓		
RC0155/C0156	SG											✓		

6,5 cm

6 cm

6 cm

RC0155/C0156 WHITE

RC0155/C0156 BLACK

RC0155/C0156 BLACK

RC0155/C0156 GOLD

TUB	LED Int(W)	INC	⚡	adj°	☀️	🌈	CRI	💧	🔺	📐	👁️	3D	IES	
C0156	WH	7W	—	230V	—	572lm	3000K	80	IP20	35°	—	✓	✓	✓
C0212	BK	7W	—	230V	—	572lm	3000K	80	IP20	35°	—	✓	✓	✓
RC0155/C0156	WH											✓		
RC0155/C0156	BK											✓		
RC0155/C0156	SG											✓		




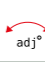





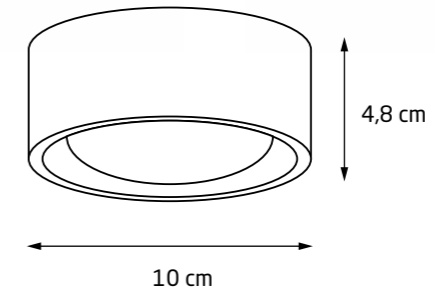
CHIP

		LED int(W)	INC	⚡	adj°	☀️	🌈	CRI	💧	📐	🕒	3D
C0161	BK	8W	✓	230V	—	840lm	3000K	80	IP20	40°	—	✓
C0162	WH	8W	✓	230V	—	920lm	4000K	80	IP20	40°	—	✓
C0163	BK	8W	✓	230V	—	920lm	4000K	80	IP20	40°	—	✓



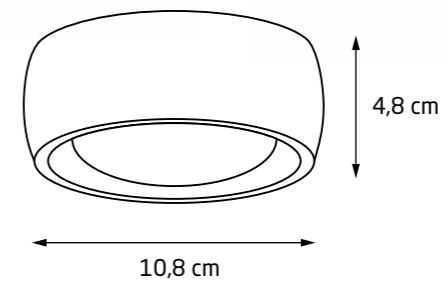
PET ROUND

								
C0141	WH	GU10	50W	230V	—	IP20	OPT.	✓
C0142	BK	GU10	50W	230V	—	IP20	OPT.	✓



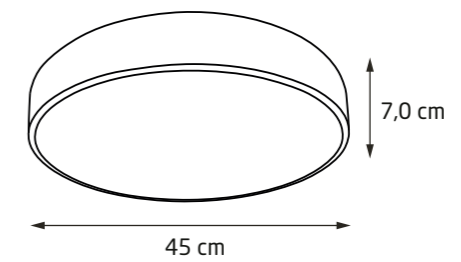
KODAK

		LED int(W)	⚡	adj°	☀️	🌈	CRI	💧	📐	🌀	3D
C0134	WH	8W	230V	—	704lm	3000K	90	IP44	90°	OPT.	✓
C0203	BK	8W	230V	—	704lm	3000K	90	IP44	90°	OPT.	✓



KODAK

		LED int(W)	⚡	adj°	☀️	🌈	CRI	💧	📐	🌀	3D
C0135	WH	8W	230V	—	704lm	3000K	90	IP44	90°	OPT.	✓
C0204	BK	8W	230V	—	704lm	3000K	90	IP44	90°	OPT.	✓



ROUNDY

C0214

BK

LED
int(W) 36W

INC ✓

230V

adj°
—

3852lm

4000K

CRI 90+

IP54

105°

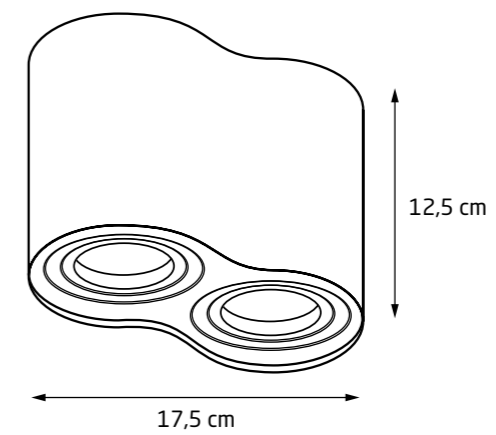
TRIAC

3D ✓

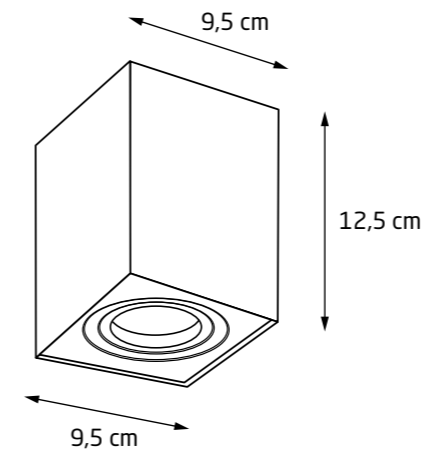
IES ✓



BASIC ROUND								
C0067	WH	GU10	50W	230V	✓	IP20	OPT.	✓
C0068	BK	GU10	50W	230V	✓	IP20	OPT.	✓

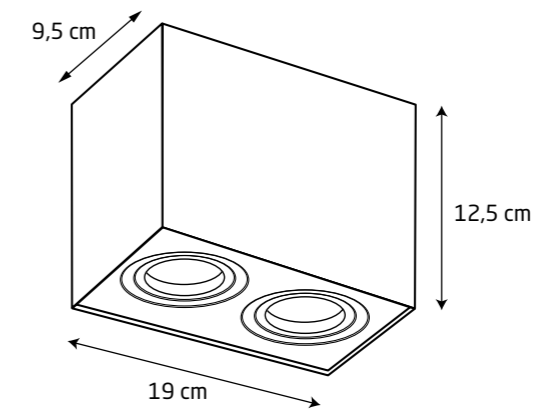


BASIC ROUND								
C0085	WH	GU10	2 x 50W	230V	✓	IP20	OPT.	✓
C0086	BK	GU10	2 x 50W	230V	✓	IP20	OPT.	✓



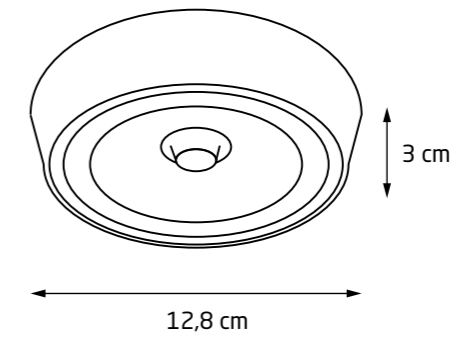
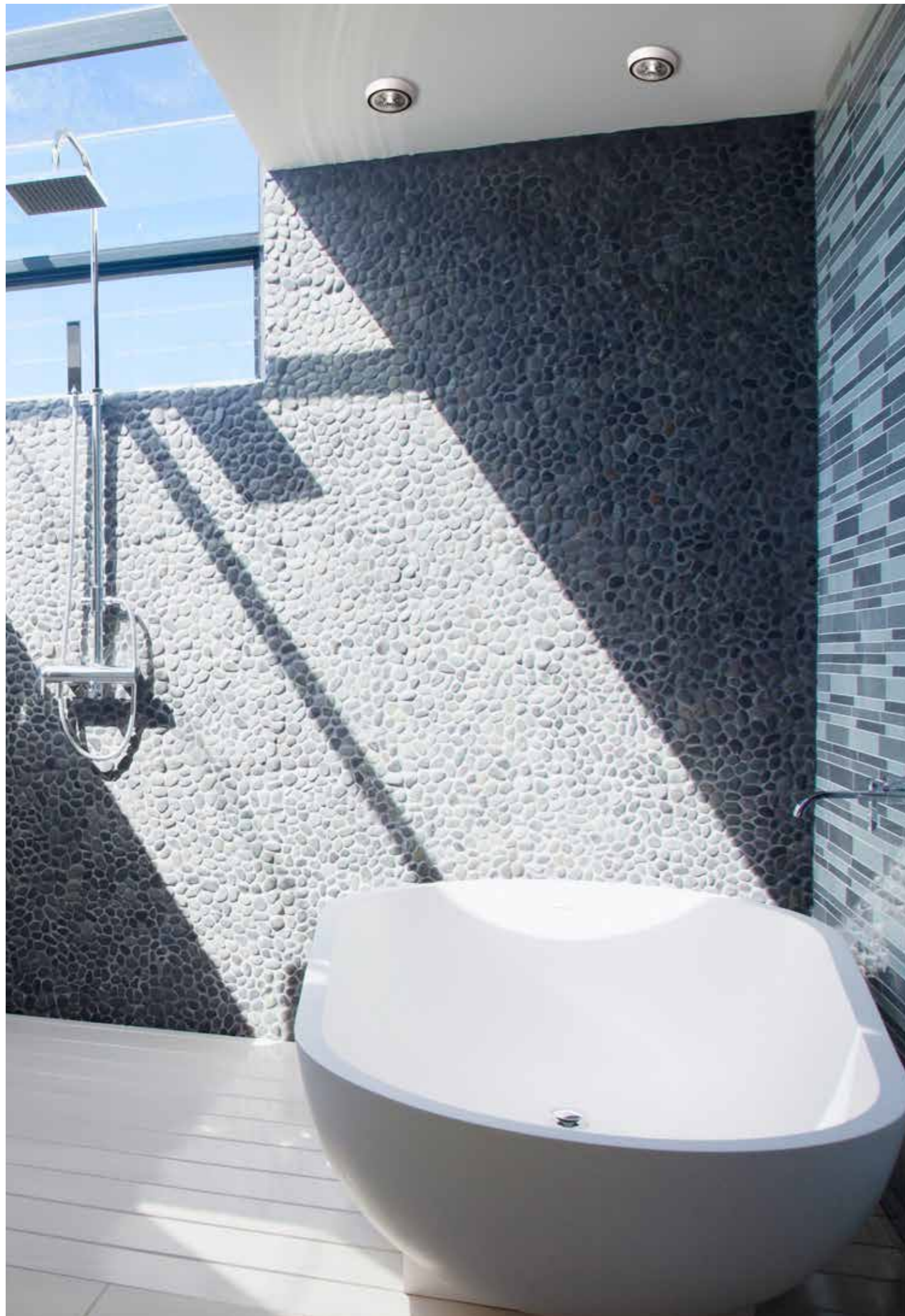
BASIC SQUARE

C0070	WH	GU10	50W	230V	✓	IP20	OPT.	✓
C0071	BK	GU10	50W	230V	✓	IP20	OPT.	✓



BASIC SQUARE

C0088	WH	GU10	2 x 50W	230V	✓	IP20	OPT.	✓
C0089	BK	GU10	2 x 50W	230V	✓	IP20	OPT.	✓



CHARON

C0207

WH

LED
Int(W)

12W

⚡

230V

↻
adj°

—

☀️

1056lm

🌈

3000K

CRI

90

💧

IP65

📐

30°

🌀

OPT.

📦

✓

C0208

BK

12W

230V

—

1056lm

3000K

90








IP65

30°

OPT.

✓



FORM								
C0107	PCR	GU10	50W	230V	—	IP65	OPT.	✓
C0215	WH	GU10	50W	230V	—	IP65	OPT.	✓
C0216	BK	GU10	50W	230V	—	IP65	OPT.	✓



ETNA

C0143

WH

LED
int(0W)

10W

INC

✓

230V

—

650lm

3000K

80

IP44

50°

—

✓

C0144

BK

LED
int(0W)

10W

INC

✓

230V

—

650lm

3000K


80

IP44

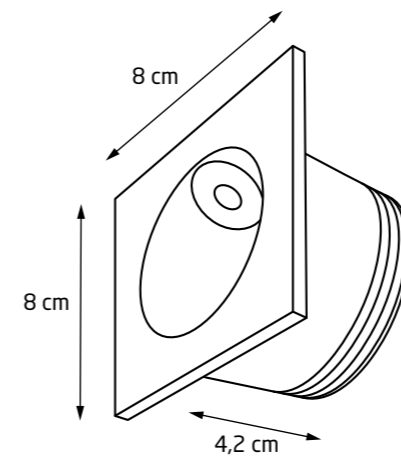
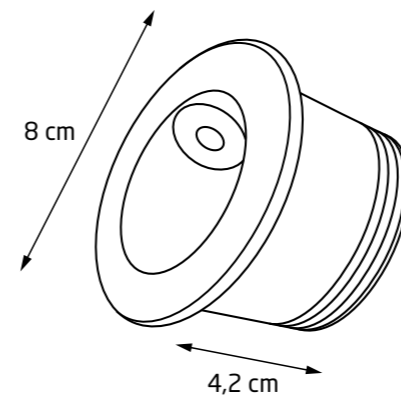
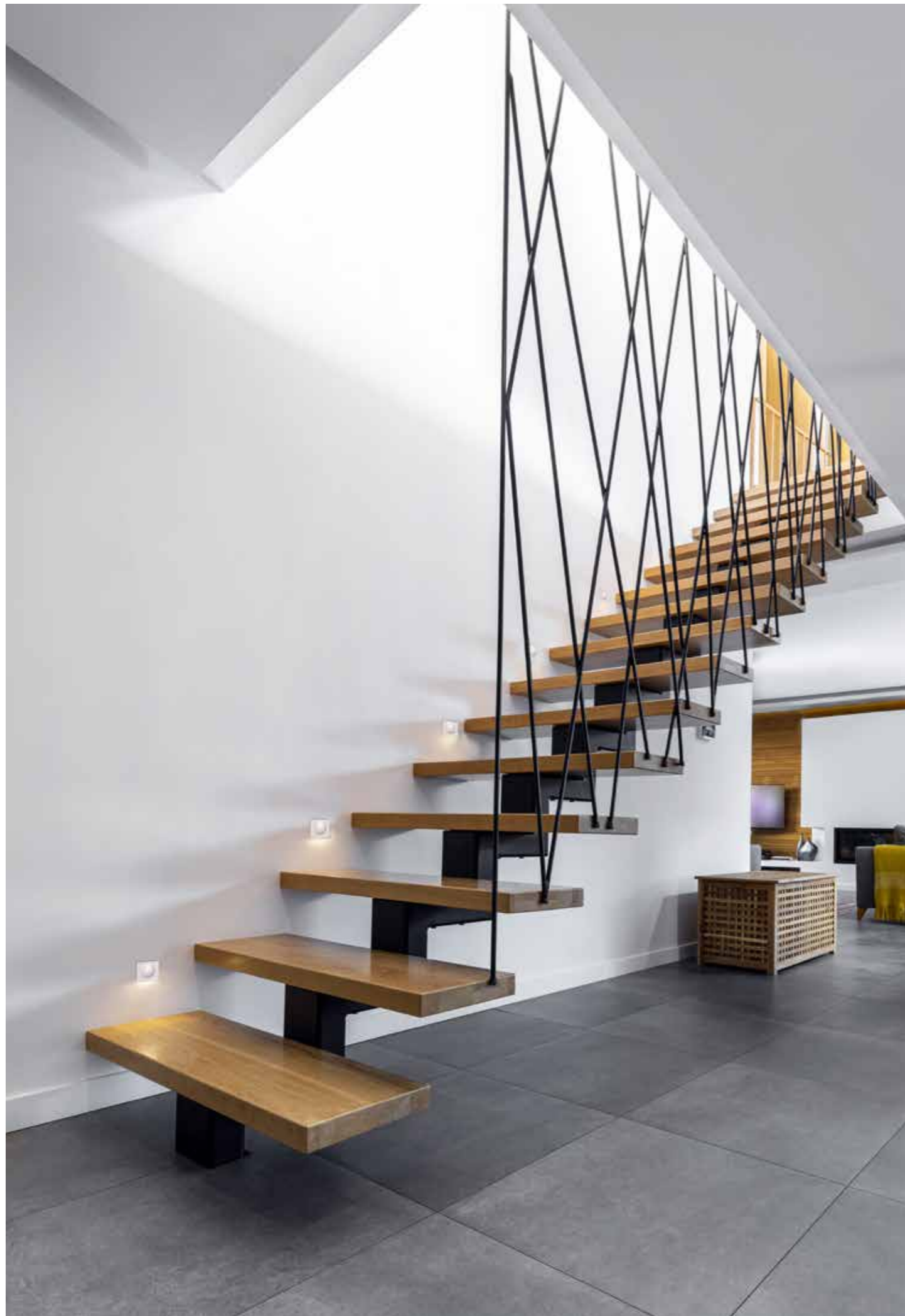
50°

—

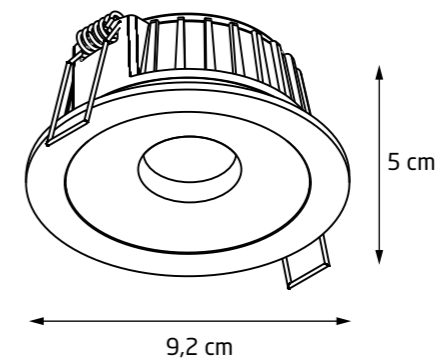
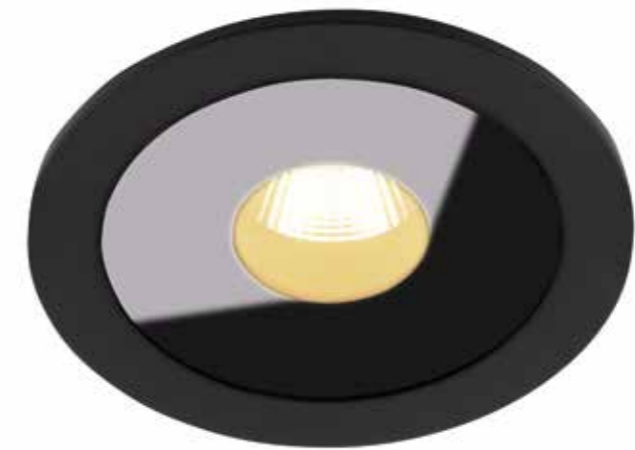
✓



LAMPY WPUSTOWE
/
RECESSED

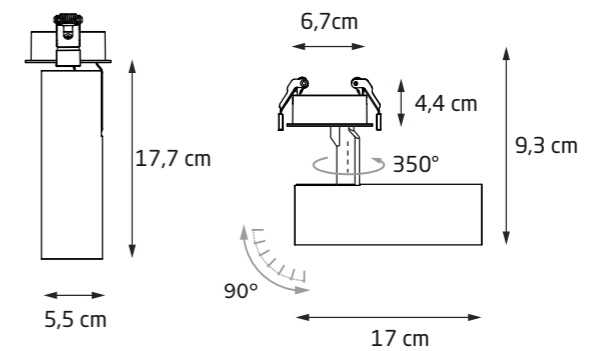
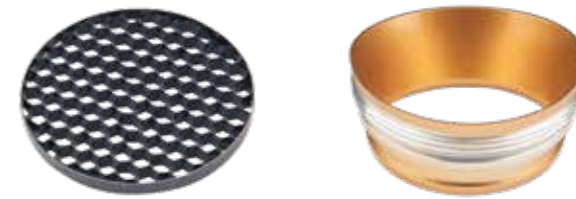


TIME		LED int(W)	⚡	adj°	☀️	🌈	CRI	💧	🔺	🌀	🔌	📐
H0073	WH	2W	230V	—	160lm	3000K	80	IP54	—	—	Ø 65mm	✓
H0074	WH	2W	230V	—	160lm	3000K	80	IP54	—	—	Ø 65mm	✓



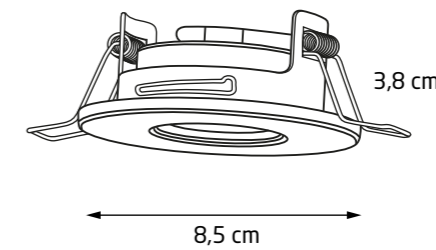
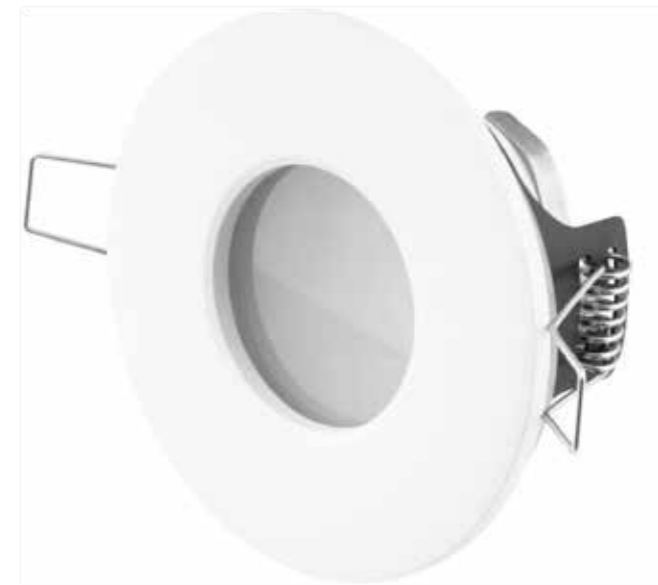
PLAZMA

		LED Int(W)	INC	⚡	adj°	☀️	🌈	CRI	💧	📐	🌀	📦	IES	
H0089	WH	13W	✓	230V	—	572lm	3000K	90	IP54	20°	—	Ø 80mm	✓	✓
H0088	BK	13W	✓	230V	—	572lm	3000K	90	IP54	20°	—	Ø 80mm	✓	✓



SHINEMAKER

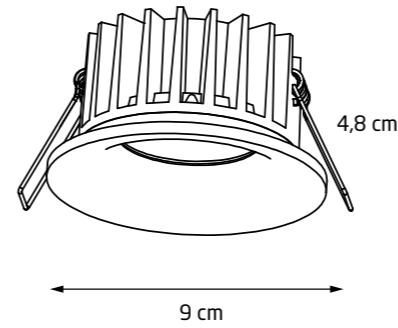
	LED Int(W)	INC	⚡	adj°	☀️	🌈	CRI	💧	📐	🌀	🔍	📦	IES	
H0119	WH 15W	✓	230V	✓	1327lm	3000K	90+	IP20	36°	TRIAC	Ø 68mm	✓	✓	✓
H0120	BK 15W	✓	230V	✓	1327lm	3000K	90+	IP20	36°	TRIAC	Ø 68mm	✓	✓	✓
HONEYCOMB												✓		
RING GOLD	SG											✓		



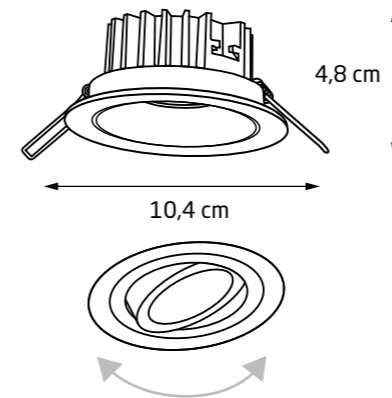
AQUA

H0044	WH	GU5.3 *	35W	230V	—	IP65	—	Ø 70mm	✓
H0045	PCR	GU5.3 *	35W	230V	—	IP65	—	Ø 70mm	✓

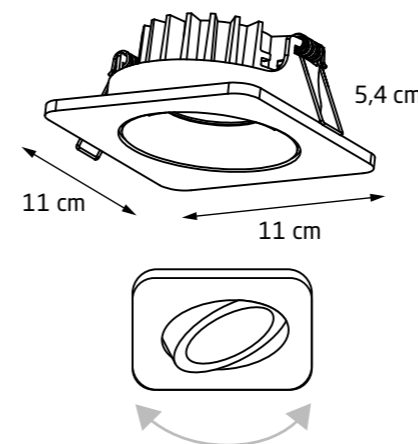
** - wymaga zastosowania zasilacza 12V



ARYA FIXED		LED int(W)	INC	⚡	adj°	☀️	🌈	CRI	💧	📐	🌀	📐	3D	IES
H0096	WH	8W	✓	230V	—	610lm	3000K	90	IP20	35°	TRIAC	Ø 80mm	✓	✓
H0097	BK	8W	✓	230V	—	610lm	3000K	90	IP20	35°	TRIAC	Ø 80mm	✓	✓



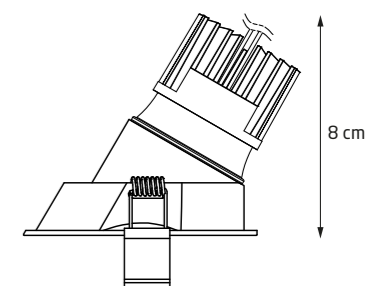
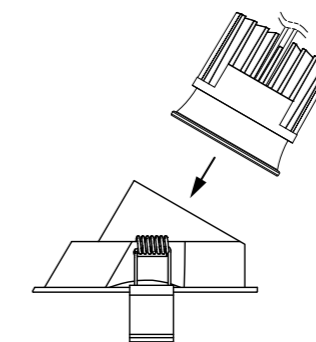
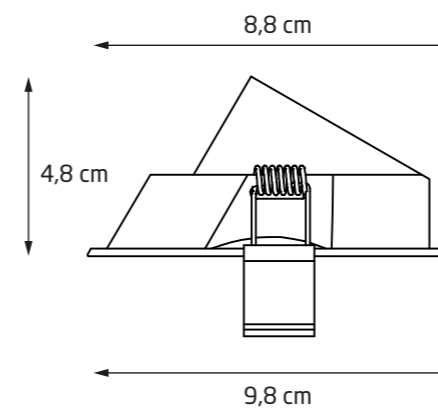
ARYA TILTED		LED int(W)	INC	⚡	adj°	☀️	🌈	CRI	💧	📐	🌀	📐	3D	IES
H0098	WH	8W	✓	230V	✓	610lm	3000K	90	IP20	35°	TRIAC	Ø 92mm	✓	✓
H0099	BK	8W	✓	230V	✓	610lm	3000K	90	IP20	35°	TRIAC	Ø 92mm	✓	✓



ARYA SQUARE		LED int(W)	INC	⚡	adj°	☀️	🌈	CRI	💧	📐	🌀	📐	3D	IES
H0100	WH	8W	✓	230V	✓	610lm	3000K	90	IP20	35°	TRIAC	Ø 100mm	✓	✓
H0101	BK	8W	✓	230V	✓	610lm	3000K	90	IP20	35°	TRIAC	Ø 100mm	✓	✓



BELLATRIX MODULE LED	LED int(W)	INC	230V	adj°	850lm	3000K	CRI 90+	IP20	60°	TRIAC	3D	IES
H0112	9W	✓	230V	✓	850lm	3000K	90+	IP20	60°	TRIAC		✓

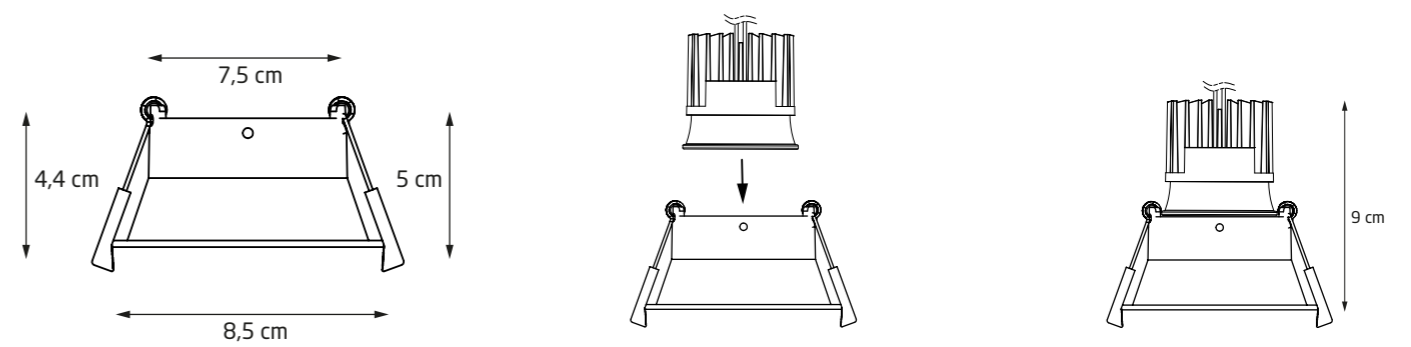
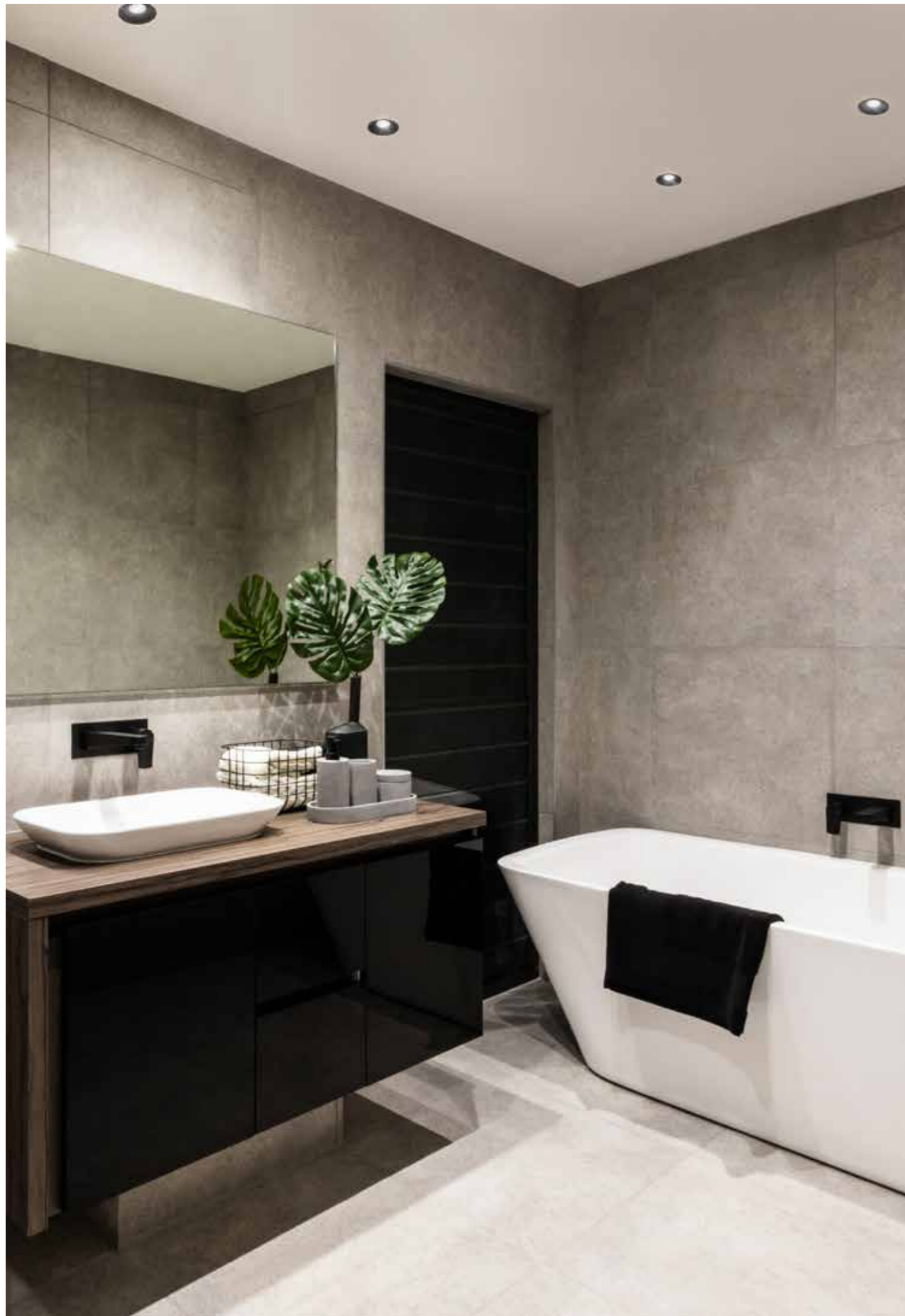


BELLATRIX SIDE

H0115	WH	LED MODULE H0112	230V	—*	—*	IP20	60°	Ø 90mm
H0116	BK	LED MODULE H0112	230V	—*	—*	IP20	60°	Ø 90mm

—* oprawa oświetlająca ścianę/wall washer fixture

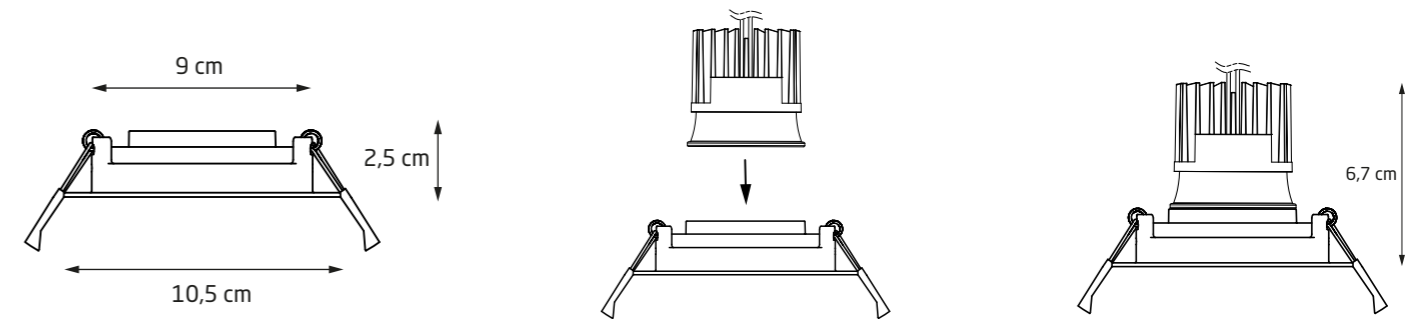
** do oprawki można zastosować żarówkę GU10 Ø 50mm/ fixture is compatible with bulb GU10 Ø 50 mm



BELLATRIX BATH

H0113	WH	LED MODULE H0112	230V	—	IP54	60°	Ø 77mm
H0114	BK	LED MODULE H0112	230V	—	IP54	60°	Ø 77mm

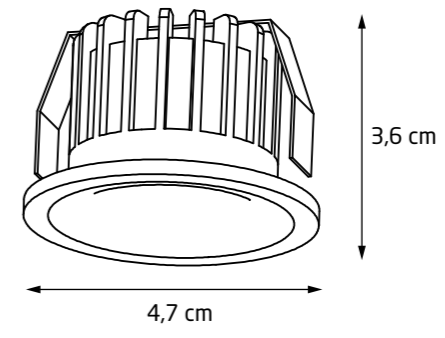
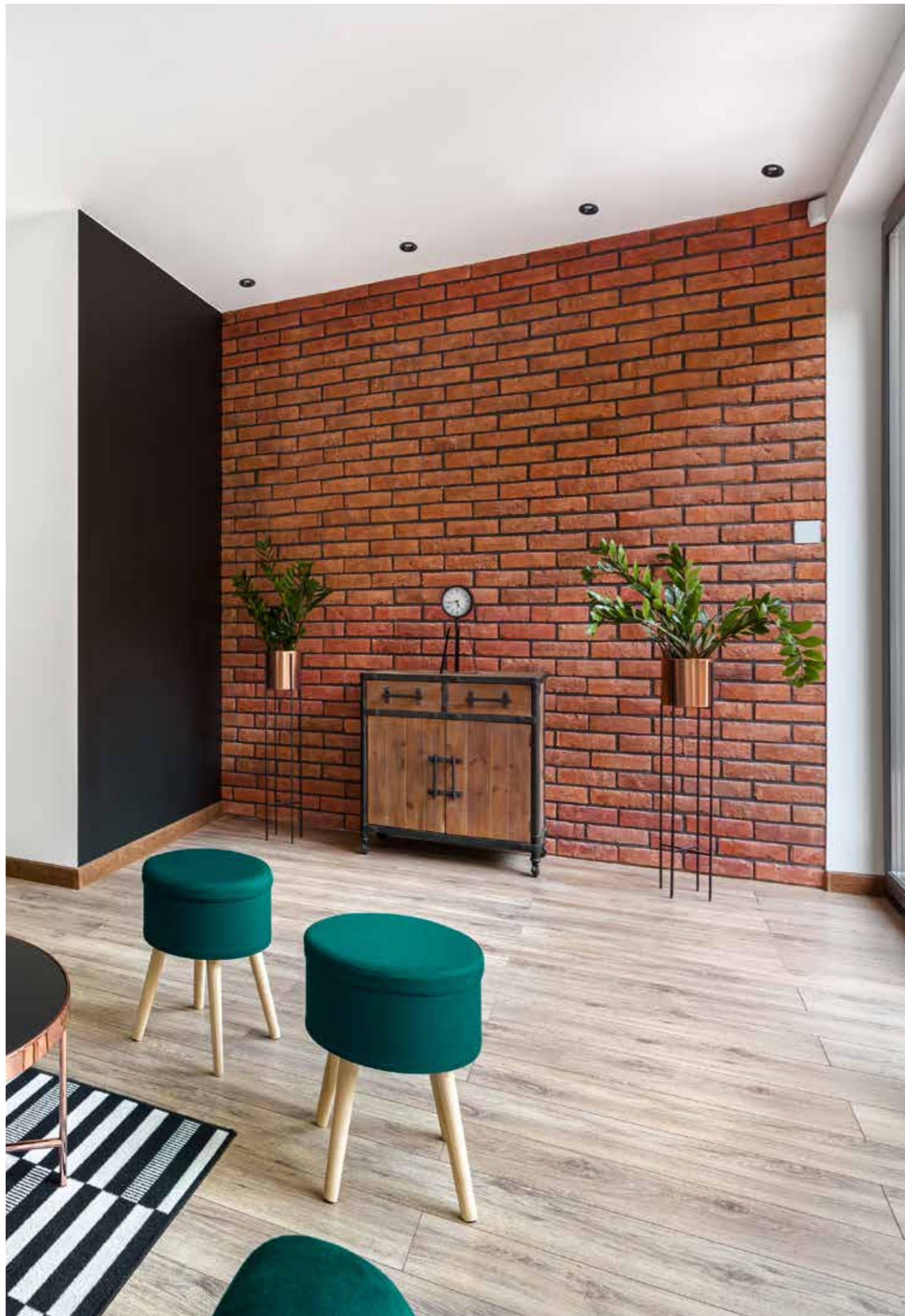
** do oprawki można zastosować żarówkę GU10 Ø 50mm/ fixture is compatible with bulb GU10 Ø 50 mm



BELLATRIX TILTED

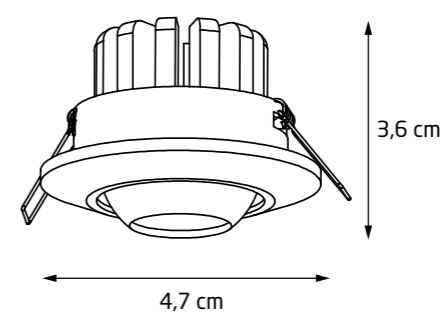
H0117	WH LED MODULE H0112	230V	✓	IP20	60°	Ø 90mm
H0118	BK LED MODULE H0112	230V	✓	IP20	60°	Ø 90mm

** do oprawki można zastosować żarówkę GU10 Ø 50mm/ fixture is compatible with bulb GU10 Ø 50 mm



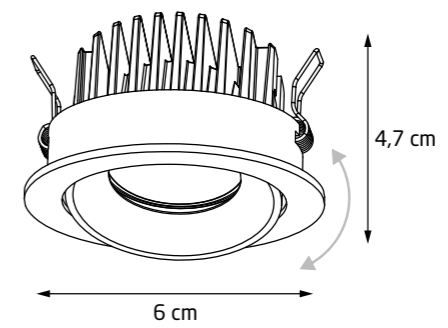
YUCA FIXED

	LED Int(W)	INC	⚡	adj°	☀️	🌈	CRI	💧	📐	🌀	🔌	3D	IES	
H0102	WH	3W	✓	230V	—	250lm	3000K	80	IP20	45°	—	Ø 40mm	✓	✓
H0103	BK	3W	✓	230V	—	250lm	3000K	80	IP20	45°	—	Ø 40mm	✓	✓

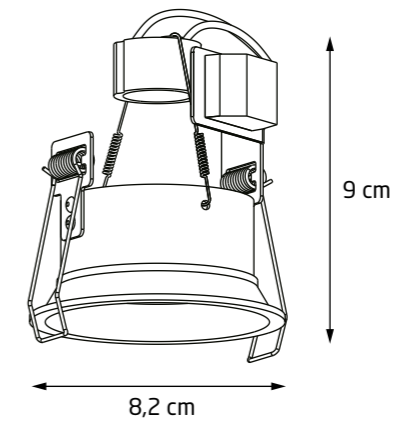


YUCA ROUND TILTED

	LED Int(W)	INC	⚡	adj°	☀️	🌈	CRI	💧	📐	🌀	🔌	3D	IES	
H0104	WH	3W	✓	230V	✓	250lm	3000K	80	IP20	45°	—	Ø 45mm	✓	✓
H0105	BK	3W	✓	230V	✓	250lm	3000K	80	IP20	45°	—	Ø 45mm	✓	✓

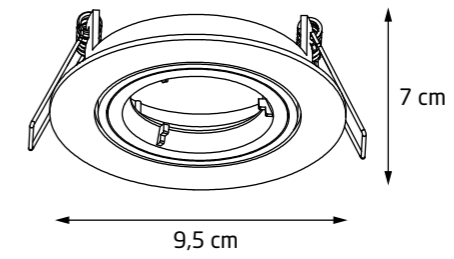


CYKLOP	LED Int(W)	INC	⚡	adj°	☀️	🌈	CRI	💧	📐	🔌	📦	IES	
H0094	WH 12W	✓	230V	✓	900lm	3000K	90	IP65	38°	—	Ø 80mm	✓	✓
H0095	BK 12W	✓	230V	✓	900lm	3000K	90	IP65	38°	—	Ø 80mm	✓	✓

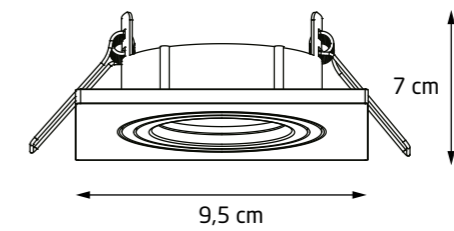


DEEP

H0069	WH	GU10	50W	230V	—	IP20	OPT. Ø 78mm	✓
H0111	BK	GU10	50W	230V	—	IP20	OPT. Ø 78mm	✓



FINE								
H0036	WH	GU10	50W	230V	✓	IP20	OPT. Ø 82mm	✓
H0037	BM	GU10	50W	230V	✓	IP20	OPT. Ø 82mm	✓
H0038	PCR	GU10	50W	230V	✓	IP20	OPT. Ø 82mm	✓

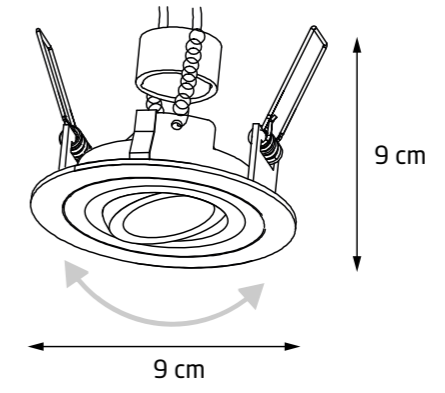
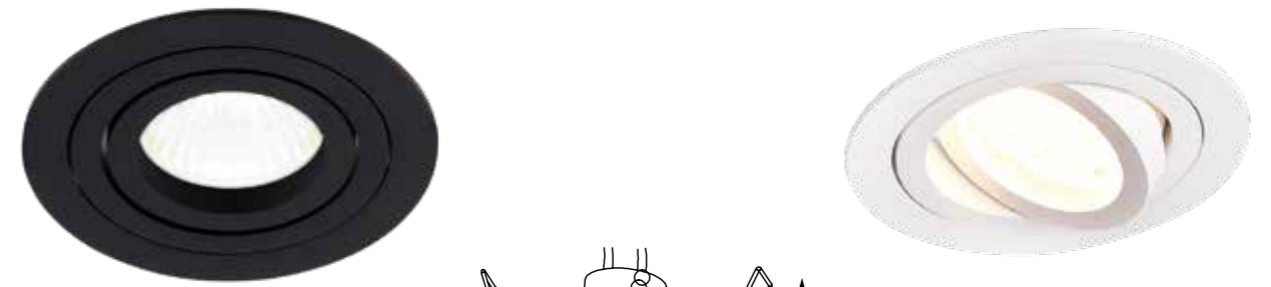


FINE								
H0039	WH	GU10	50W	230V	✓	IP20	OPT. Ø 82mm	✓
H0040	BM	GU10	50W	230V	✓	IP20	OPT. Ø 82mm	✓
H0041	PCR	GU10	50W	230V	✓	IP20	OPT. Ø 82mm	✓



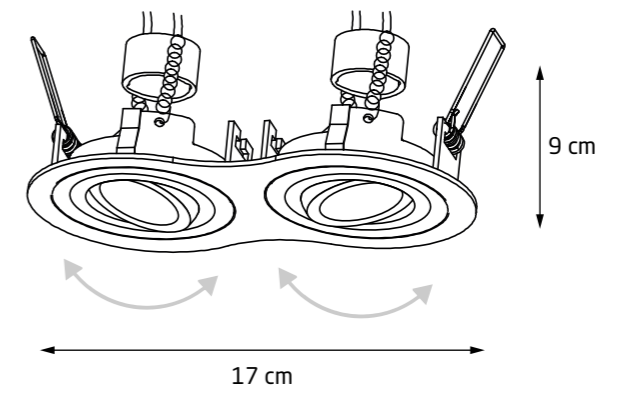
GALEXO	LED Int(W)	INC	⚡	adj°	☀️	🌈	CRI	💧	📐	🌀	🔍	👁️	📦	IES
H0106	WH 7W	✓	230V	✓	572lm	3000K	90	IP20	38°	—*	Ø 75mm	—*	✓	✓
H0107	BK 7W	✓	230V	✓	572lm	3000K	90	IP20	38°	—*	Ø 75mm	—*	✓	✓
RH0106/H0107	WH												✓	
RH0106/H0107	BK												✓	
RH0106/H0107	SG												✓	

—* nie zawiera pierścienia w komplecie



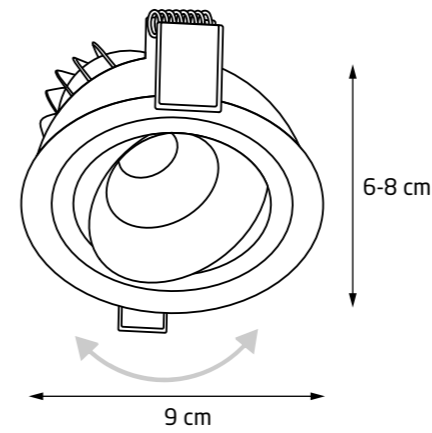
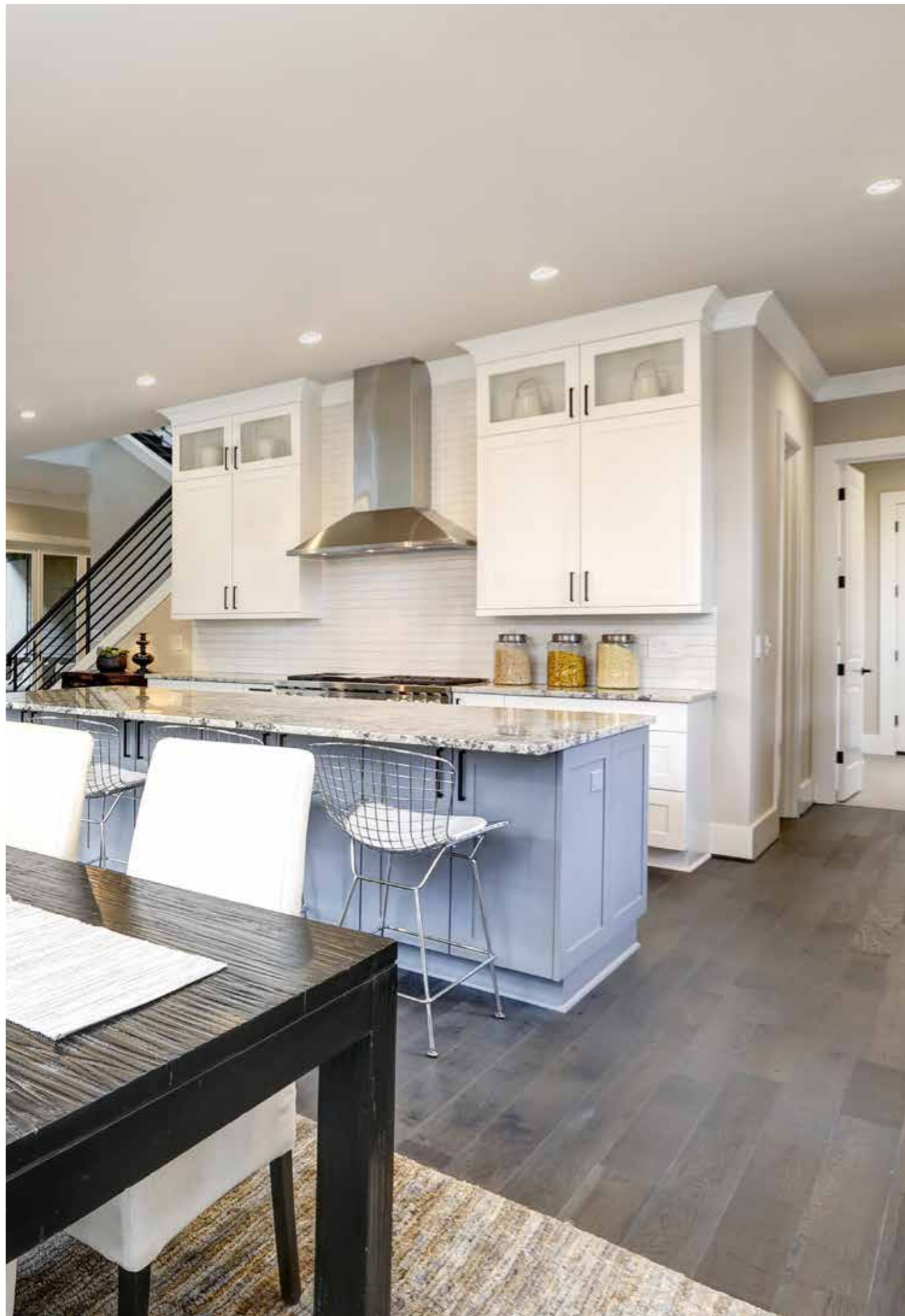
SIGNAL I

H0084	WH	GU10	50W	230V	✓	IP20	OPT.	Ø 82mm	✓
H0086	BK	GU10	50W	230V	✓	IP20	OPT.	Ø 82mm	✓



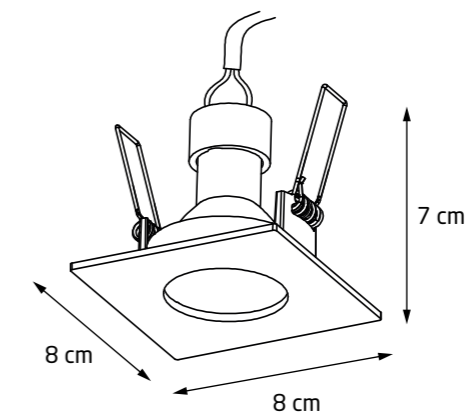
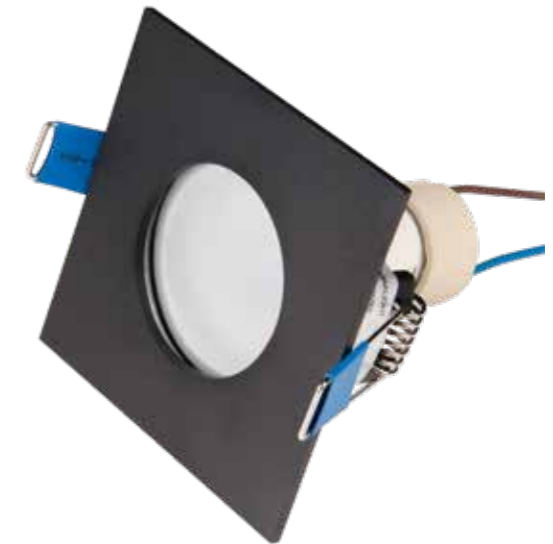
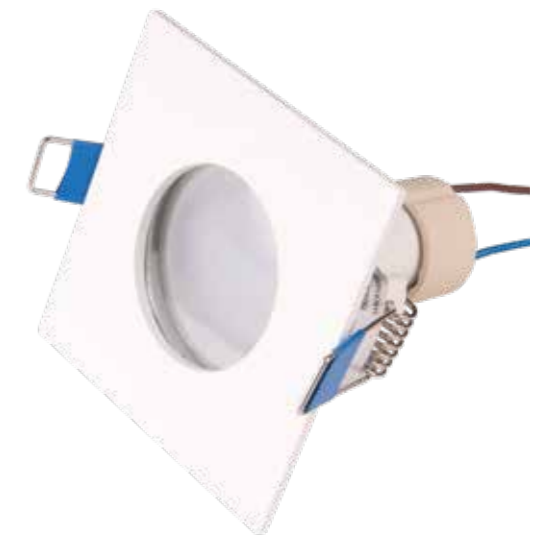
SIGNAL II

H0083	WH	GU10	2 x 50W	230V	✓	IP20	OPT.	2 x Ø 82mm	✓
H0087	BK	GU10	2 x 50W	230V	✓	IP20	OPT.	2 x Ø 82mm	✓



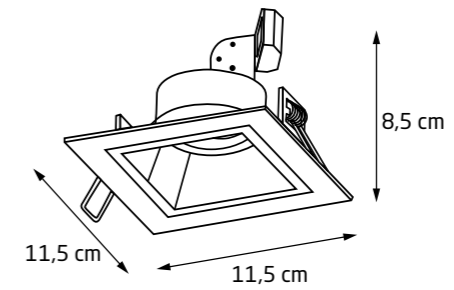
HIDEN

		LED Int(W)	INC	⚡	adj°	☀️	🌈	CRI	💧	📐	🔌	📦	IES
H0109	WH	10W	✓	230V	✓	900lm	3000K	90	IP32	38°	—	Ø 90mm	✓
H0110	BK	10W	✓	230V	✓	900lm	3000K	90	IP32	38°	—	Ø 90mm	✓



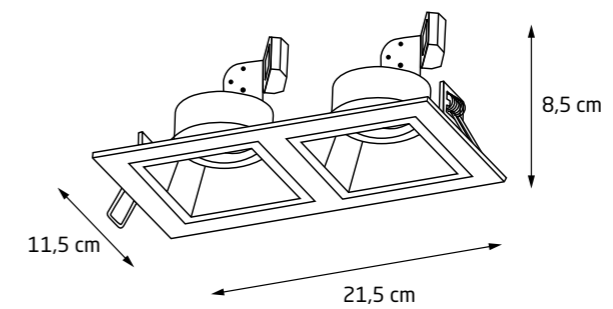
SQUARE

H0092	WH	GU10	50W	230V	—	IP44	OPT.	Ø 68mm	✓
H0093	BK	GU10	50W	230V	—	IP44	OPT.	Ø 68mm	✓



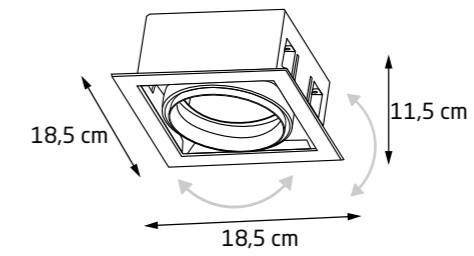
HIT I

H0080	WH	GU10	50W	230V	—	IP20	OPT.	100mm x 100mm ✓
H0090	BK	GU10	50W	230V	—	IP20	OPT.	100mm x 100mm ✓



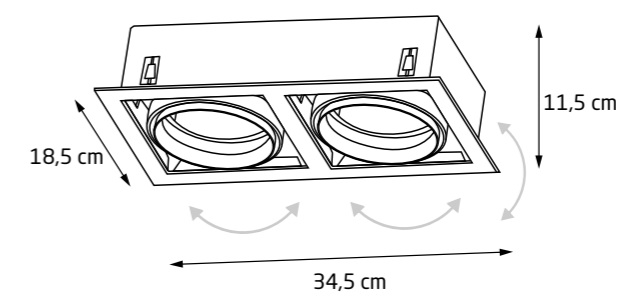
HIT II

H0081	WH	GU10	2 x 50W	230V	—	IP20	OPT.	195mm x 100mm ✓
H0091	BK	GU10	2 x 50W	230V	—	IP20	OPT.	195mm x 100mm ✓



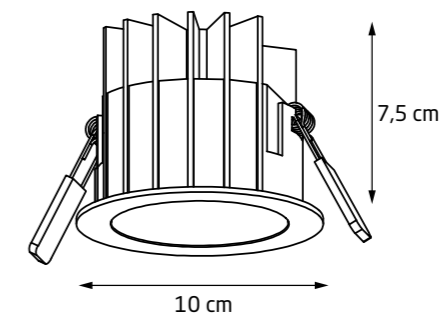
MATRIX I

	Color	Light Type	Power	Voltage	Beam Spread	IP Rating	Beam Angle	Dimensions	3D Model
H0059	WH	AR111 GU10	50W	230V	✓	IP20	OPT.	170mm X 170mm	✓
H0048	BK	AR111 GU10	50W	230V	✓	IP20	OPT.	170mm X 170mm	✓



MATRIX II

	Color	Light Type	Power	Voltage	Beam Spread	IP Rating	Beam Angle	Dimensions	3D Model
H0060	WH	AR111 GU10	2 x 50W	230V	✓	IP20	OPT.	330mm X 170mm	✓
H0049	BK	AR111 GU10	2 x 50W	230V	✓	IP20	OPT.	330mm X 170mm	✓

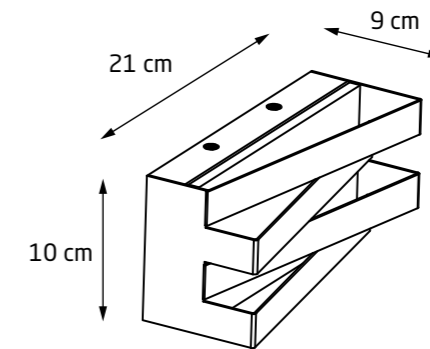
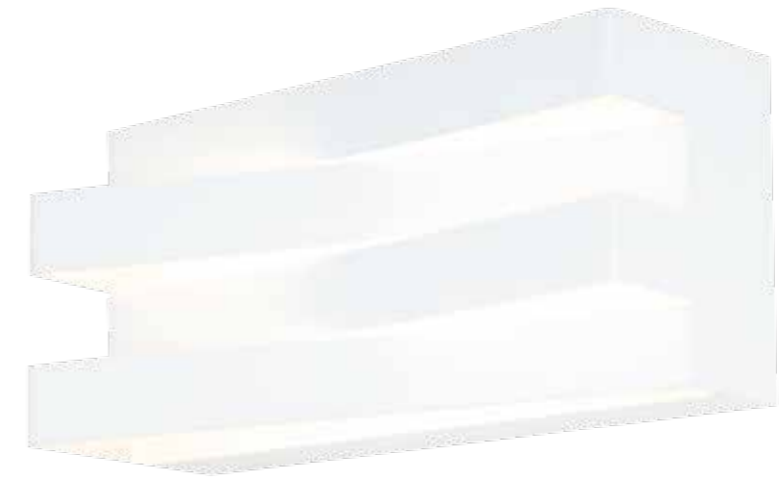


PAXO

		LED Int(W)	INC	⚡	adj°	☀️	🌈	CRI	💧	⚠️	🌀	🔦	📦	IES	
H0108	WH	10W	✓	230V	—	572lm	3000K	90	IP65	45°	—	Ø 80mm	✓	✓	✓
RH0108	BK												✓		
RH0108	SG												✓		

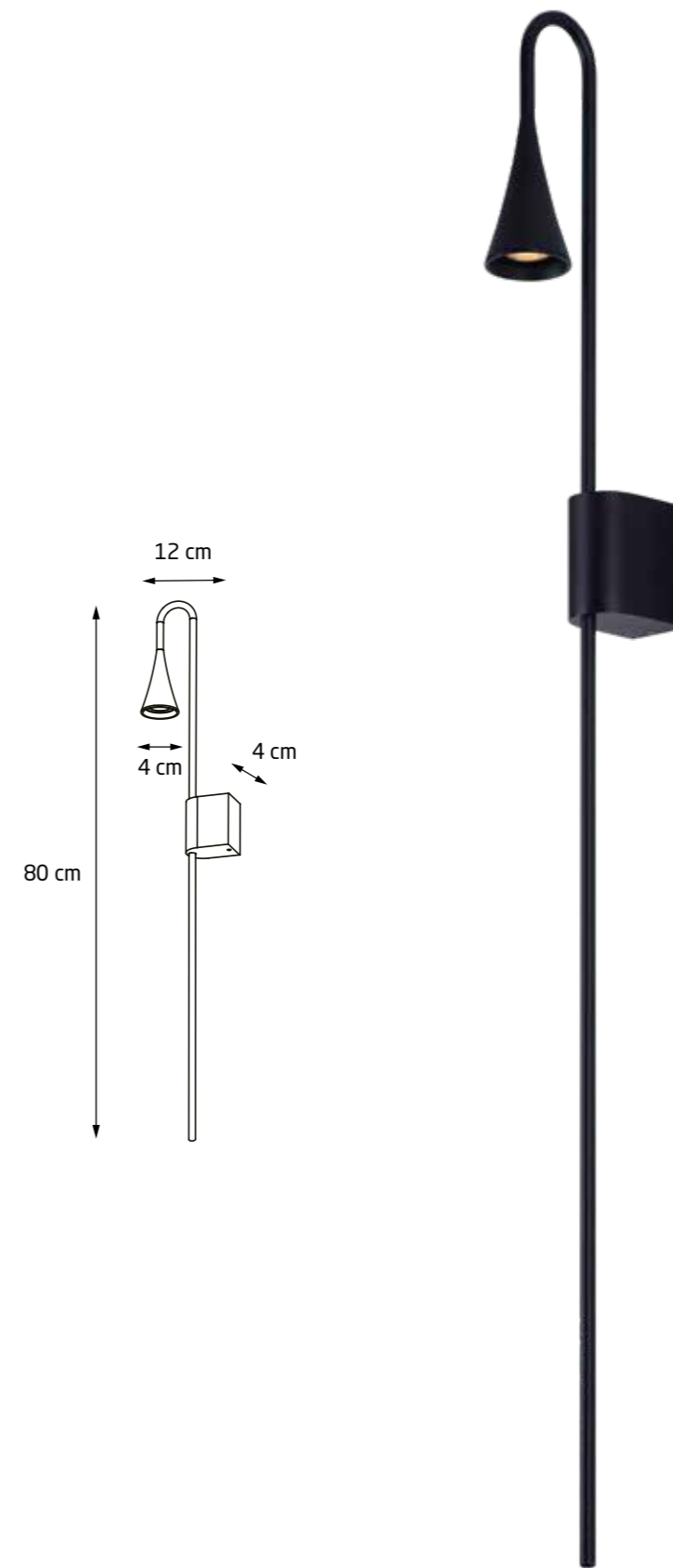


KINKIETY
/
WALL LAMP



ARAXA

		LED Int(W)	INC	⚡	adj°	☀️	🌈	CRI	💧	🔥	🌀	3D	IES
W0177	WH	12W	✓	230V	—	600lm	3000K	80	IP20	—	—	✓	✓
W0178	BK	12W	✓	230V	—	600lm	3000K	80	IP20	—	—	✓	✓



COMET

W0280

BK

LED
Int(W)

INC

230V

adj°

300lm

3000K

90 CRI

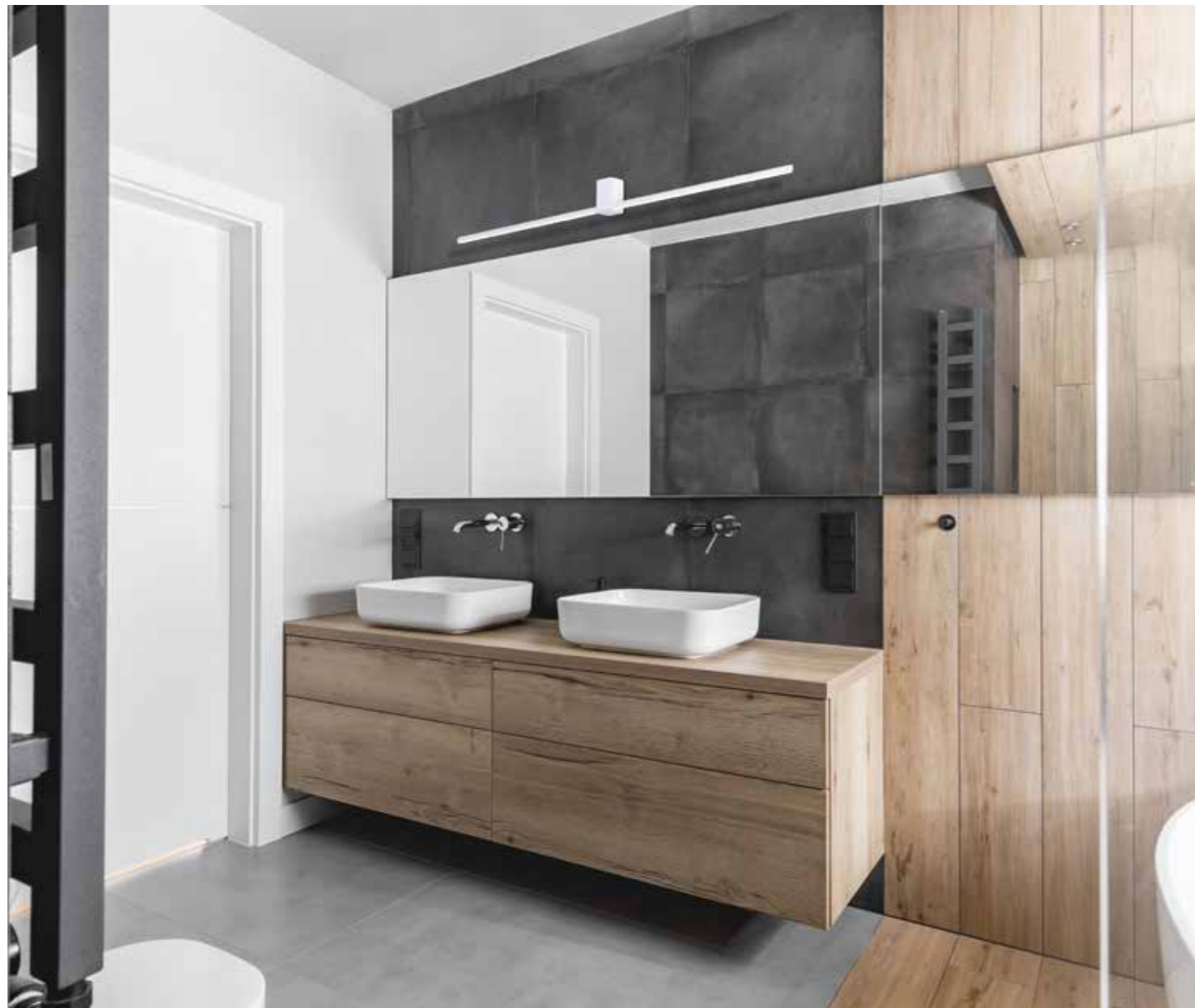
IP54

36°

—

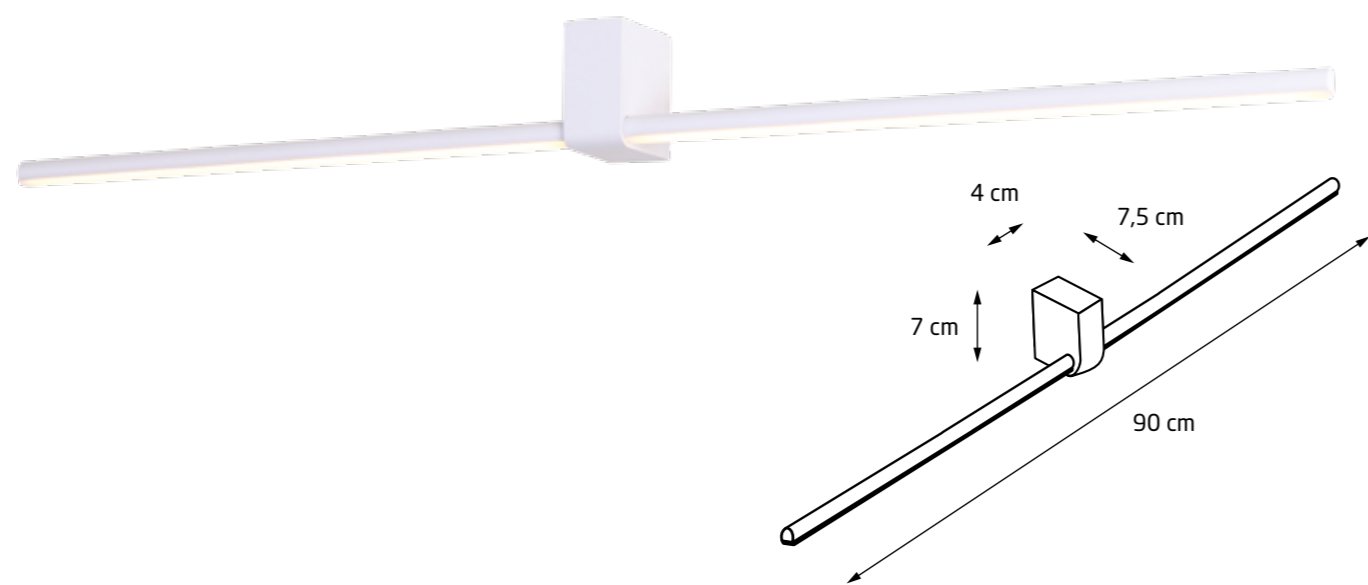
✓

3D



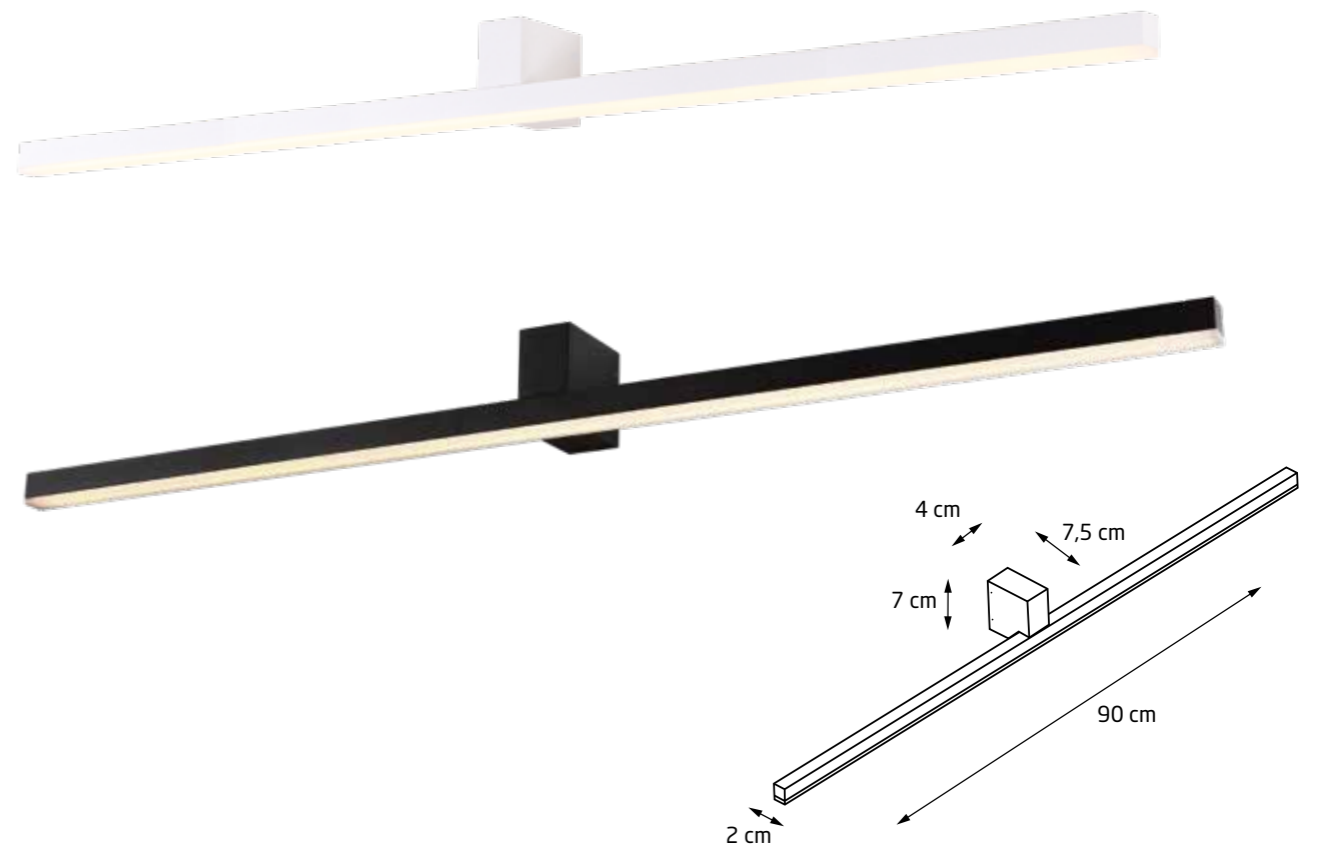
FINGER

		LED int(W)	INC	⚡	adj°	☀️	🌈	CRI	💧	📐	📐	3D
W0155	WH	7,5W	✓	230V	—	975lm	3000K	80	IP54	84°	—	✓
W0231	BK	7,5W	✓	230V	—	975lm	3000K	80	IP54	84°	—	✓



FINGER

		LED int(W)	INC	⚡	adj°	☀️	🌈	CRI	💧	📐	📐	3D
W0156	WH	8W	✓	230V	—	950lm	3000K	80	IP54	—	—	✓

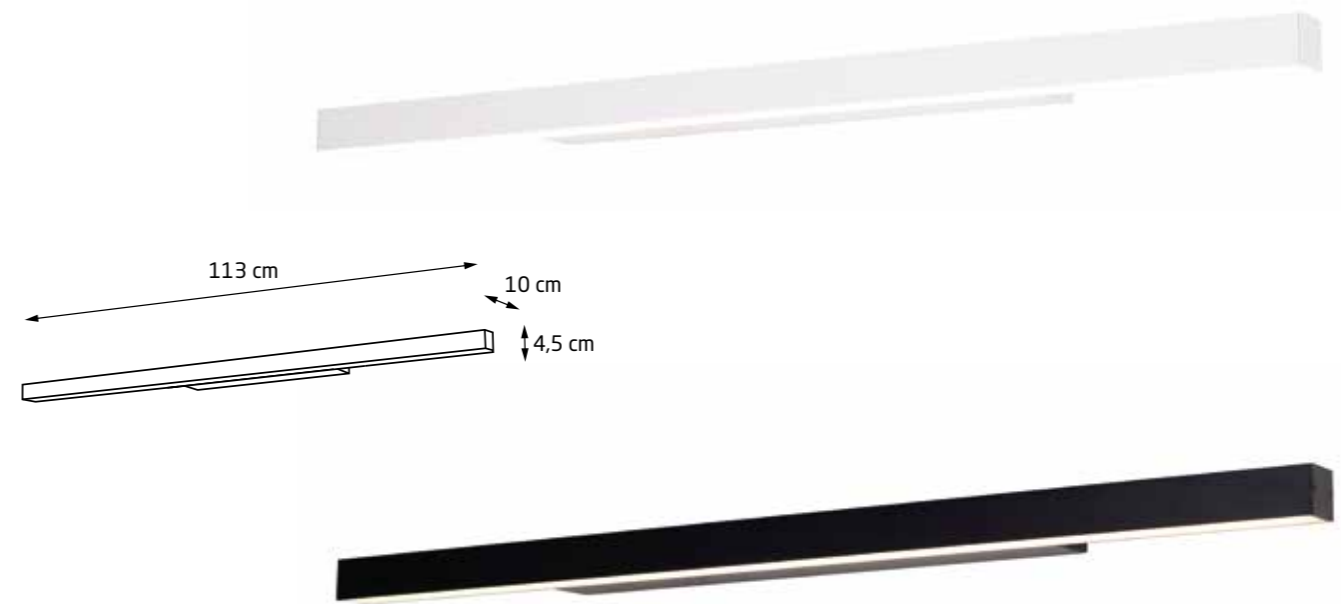


FINGER

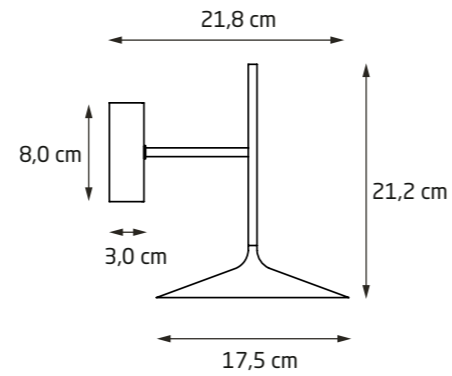
		LED int(W)	INC	⚡	adj°	☀️	🌈	CRI	💧	📐	📐	3D
W0214	WH	9W	✓	230V	—	1115lm	3000K	80	IP54	84°	—	✓
W0232	BK	9W	✓	230V	—	1115lm	3000K	80	IP54	84°	—	✓



LINEAR	LED int(W)	INC	⚡	adj°	☀️	🌈	CRI	IP	🔺	🌀	3D	
W0263	WH	18W	✓	230V	—	1300lm	4000K	80+	IP44	100°	TRIAC	✓
W0264	BK	18W	✓	230V	—	1300lm	4000K	80+	IP44	100°	TRIAC	✓

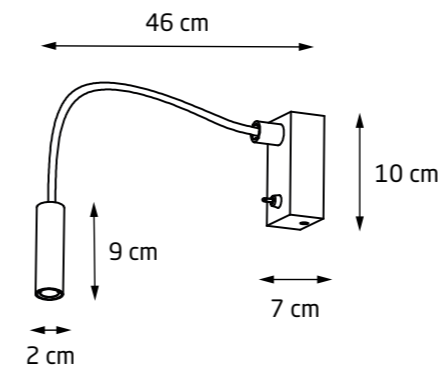


LINEAR	LED int(W)	INC	⚡	adj°	☀️	🌈	CRI	IP	🔺	🌀	3D	
W0265	WH	36W	✓	230V	—	2600lm	4000K	80+	IP44	100°	TRIAC	✓
W0266	BK	36W	✓	230V	—	2600lm	4000K	80+	IP44	100°	TRIAC	✓



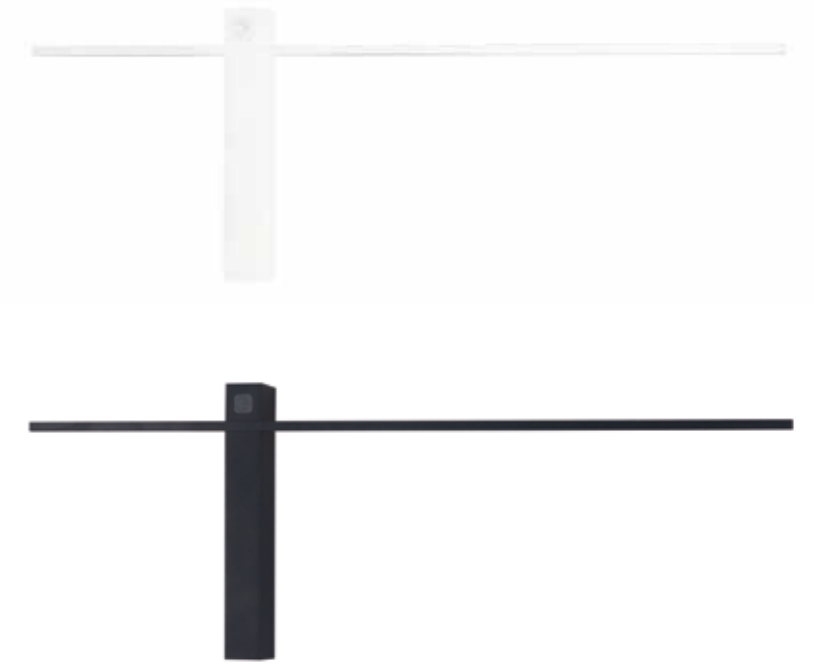
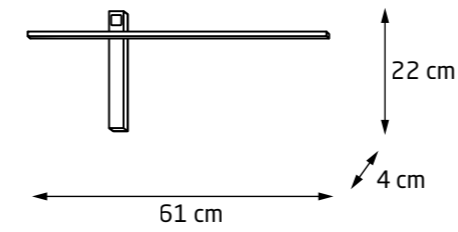
HANA

	LED int(w)	INC	⚡	adj°	☀️	🌈	CRI	💧	🔺	🌀	3D	IES	
W0303	BK	6W	✓	230V	—	540lm	3000K	90+	IP20	115°	—	✓	✓
W0304	SG	6W	✓	230V	—	540lm	3000K	90+	IP20	115°	—	✓	✓



RIDER

	LED int(w)	INC	⚡	adj°	☀️	🌈	CRI	💧	🌀	3D	
W0047	WH	3W	✓	230V	✓	190lm	3000K	80	IP20	—	✓
W0046	BK	3W	✓	230V	✓	190lm	3000K	80	IP20	—	✓



SABRE

W0282

WH

LED
int(W)

6W

INC

✓

230V

—

adj°

420lm

3000K

90

IP23

—

✓*

✓

W0281

BK

6W

✓

230V

—

420lm

3000K

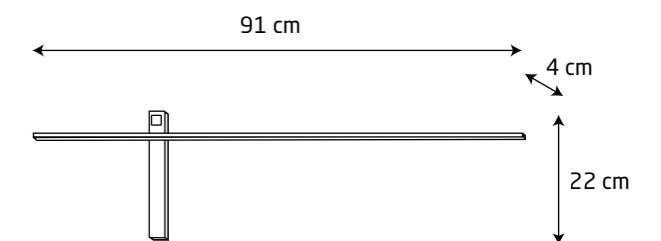
90

IP23

—

✓*

✓



SABRE

W0284

WH

LED
int(W)

10W

INC

✓

230V

—

adj°

700lm

3000K

90

IP23

—

✓*

✓

W0283

BK

10W

✓

230V

—

700lm

3000K

90

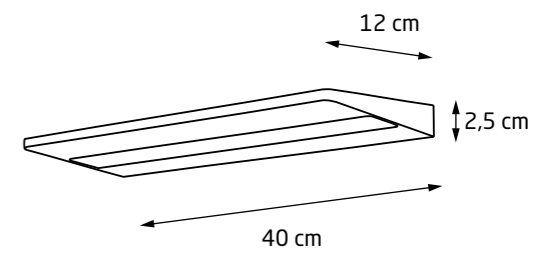
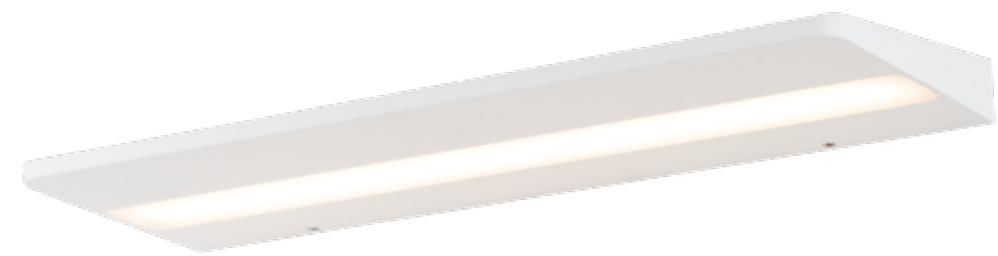
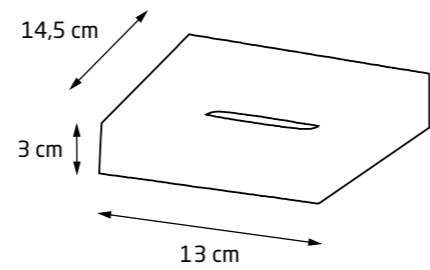
IP23

—

✓*

✓

—* dotykowy włącznik ściemniania/dimmable touch switch



SALVADOR

W0133 **WH**

- LED
- INC
- 230V
- adj°
- 390lm
- 3000K
- CRI 80
- IP54
-
-
-

SHELF

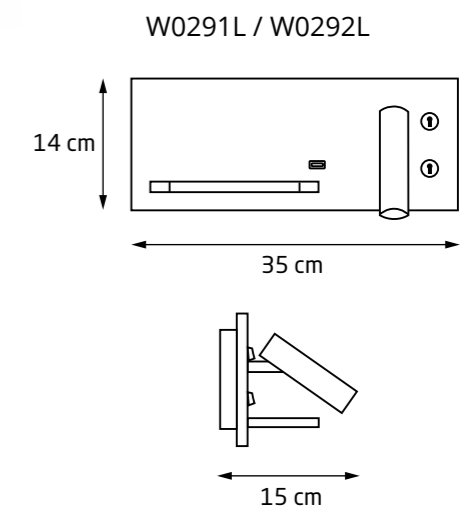
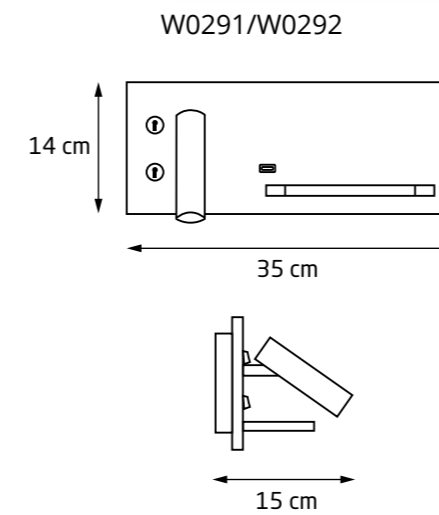
W0213 **WH**

- LED
- INC
- 230V
- adj°
- 800lm
- 3000K
- CRI 80
- IP20
-
-
-



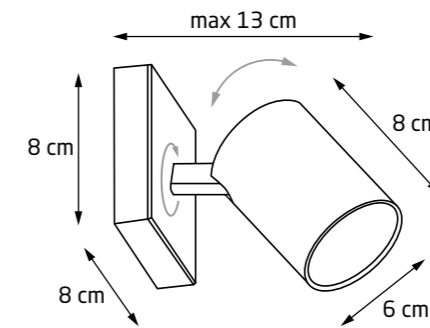
SPIDER

		LED int(W)	INC	⚡	adj°	☀️	🌈	CRI	💧	🌀	3D
W0212	WH	8,4W	✓	230V	✓	548lm	3000K	80	IP44	—	✓
W0267	BK	8,4W	✓	230V	✓	548lm	3000K	80	IP44	—	✓
W0297	SG	8,4W	✓	230V	✓	548lm	3000K	80	IP44	—	✓

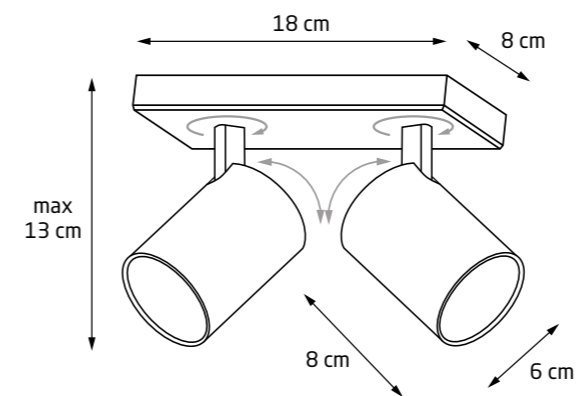


SUPERIOR	LED int(W)	INC	⚡	adj°	☀️	🌈	CRI	💧	🌀	3D	
W0291 *	WH	3+6W	✓	230V	✓	240lm+300lm	3000K	85	IP20	—	✓
W0292 *	BK	3+6W	✓	230V	✓	240lm+300lm	3000K	85	IP20	—	✓
W0291L *	WH	3+6W	✓	230V	✓	240lm+300lm	3000K	85	IP20	—	✓
W0292L *	BK	3+6W	✓	230V	✓	240lm+300lm	3000K	85	IP20	—	✓

* ładowarka USB + ładowarka indukcyjna / USB charger + wireless charger



TOP I								
W0218	WH	GU10	50W	230V	✓	IP20	OPT.	✓
W0219	BK	GU10	50W	230V	✓	IP20	OPT.	✓



TOP II								
W0220	WH	GU10	2 x 50W	230V	✓	IP20	OPT.	✓
W0221	BK	GU10	2 x 50W	230V	✓	IP20	OPT.	✓



ZAFIRA		LED int(W)	INC	⚡	adj°	☀️	🌈	CRI	💧	🌀	3D
W0163	WH	6W	✓	230V	—	290lm	3000K	80	IP20	—	✓
W0278	BK	6W	✓	230V	—	290lm	3000K	80	IP20	—	✓

ZONE		LED int(W)	INC	⚡	adj°	☀️	🌈	CRI	💧	🌀	3D
W0200	WH	6W	✓	230V	—	470lm	3000K	90	IP44	—	✓

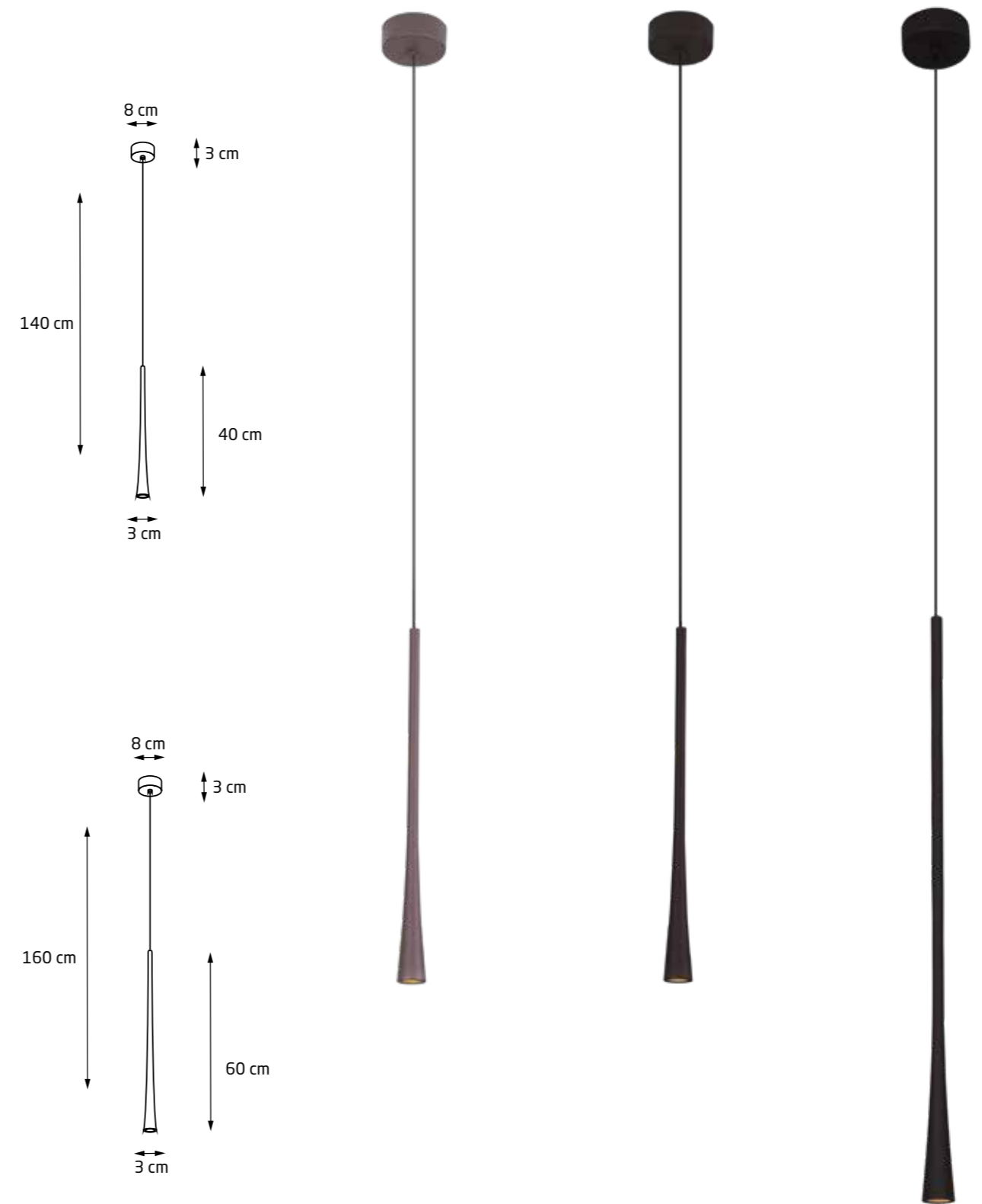
ZAFIRA		LED int(W)	INC	⚡	adj°	☀️	🌈	CRI	💧	🌀	3D
W0164	WH	12W	✓	230V	—	480lm	3000K	80	IP20	—	✓
W0279	BK	12W	✓	230V	—	480lm	3000K	80	IP20	—	✓

ZONE		LED int(W)	INC	⚡	adj°	☀️	🌈	CRI	💧	🌀	3D
W0201	WH	8W	✓	230V	—	626lm	3000K	90	IP44	—	✓



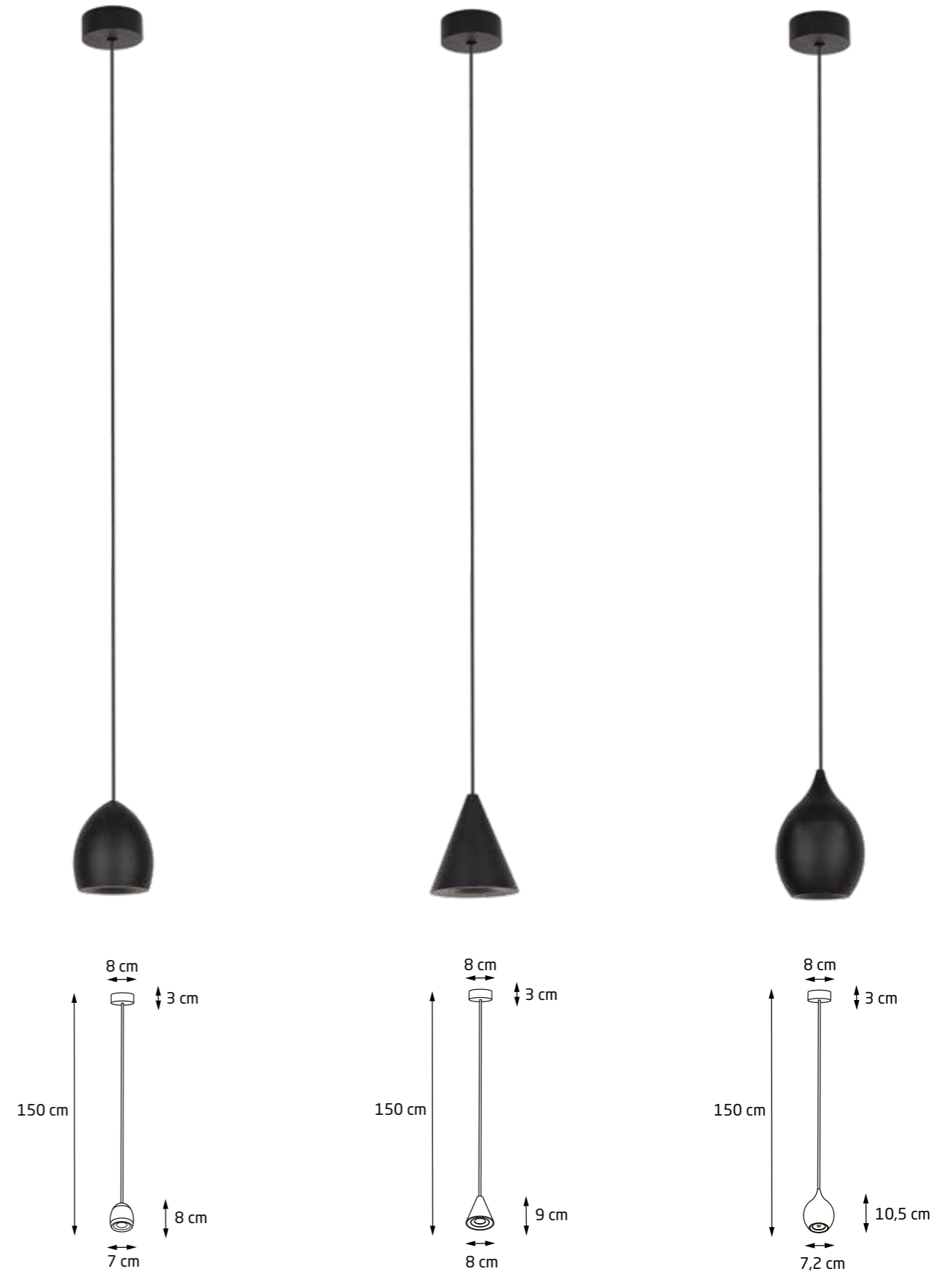
LAMPY WISZĄCE
/
SUSPENDED





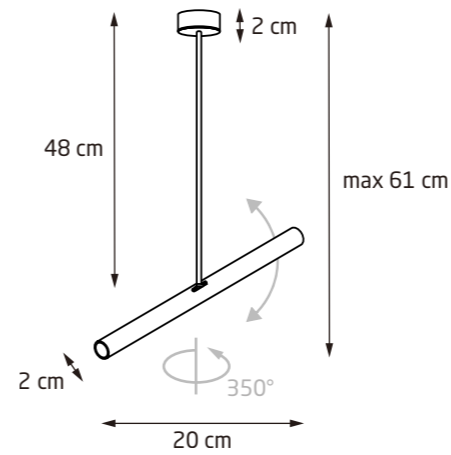
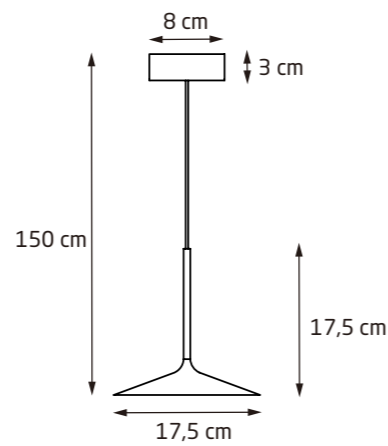
COFFE

		LED inc(W)	INC	⚡	adj°	☀️	🌈	CRI	💧	📐	📦	IES	
P0337	BR	7W	✓	230V	—	218lm	3000K	90	IP20	24°	—	✓	✓
P0372	BK	7W	✓	230V	—	218lm	3000K	90	IP20	24°	—	✓	✓
P0373	BK	7W	✓	230V	—	218lm	3000K	90	IP20	24°	—	✓	✓



COMET

		LED int(w)	INC	⚡	adj°	☀	☀	CRI	IP	△	⊙	3D
P0433	BK	5W	✓	230V	—	430lm	3000K	80	IP20	36°	—	✓
P0434	BK	5W	✓	230V	—	430lm	3000K	80	IP20	36°	—	✓
P0435	BK	5W	✓	230V	—	430lm	3000K	80	IP20	36°	—	✓

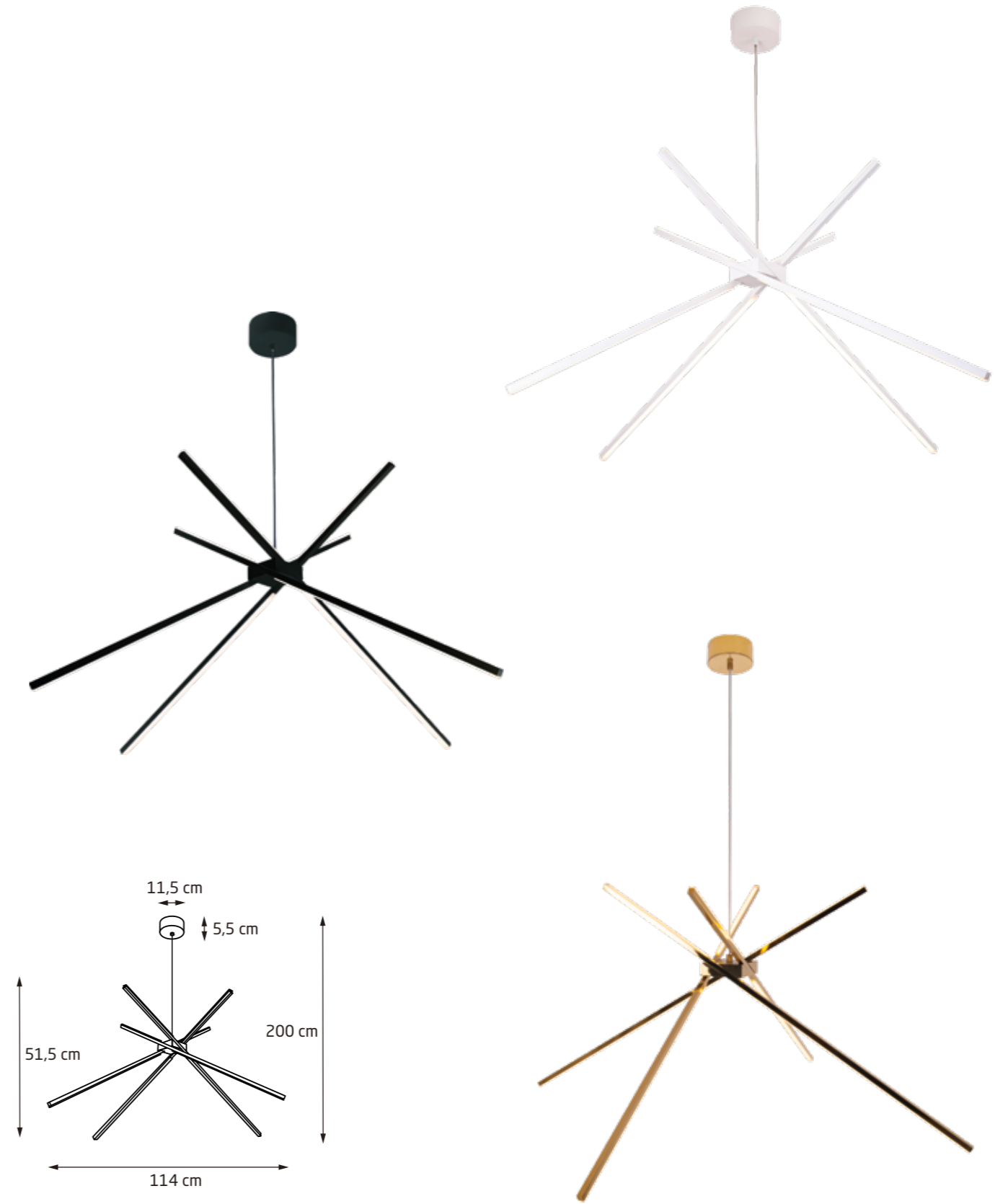


HANA

		LED int(w)	INC	⚡	adj°	☀️	🌈	CRI	💧	📐	📦	IES
P0456	BK	6W	✓	230V	—	540lm	3000K	90+	IP20	115°	—	✓
P0460	SG	6W	✓	230V	—	540lm	3000K	90+	IP20	115°	—	✓

FIGARO

		LED int(w)	INC	⚡	adj°	☀️	🌈	CRI	💧	📐	📦	IES
P0362	BK	5W	✓	230V	✓	300lm	3000K	80	IP20	24°	—	✓



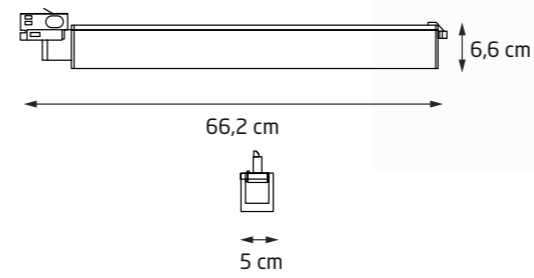
SPIDER

		LED int(W)	INC	⚡	adj°	☀️	🌈	CRI	💧	🌀	3D
P0270	WH	33W	✓	230V	—	2152lm	3000K	90	IP20	—	✓
P0412	BK	33W	✓	230V	—	2152lm	3000K	90	IP20	—	✓
P0457	SG	33W	✓	230V	—	2152lm	3000K	90	IP20	—	✓

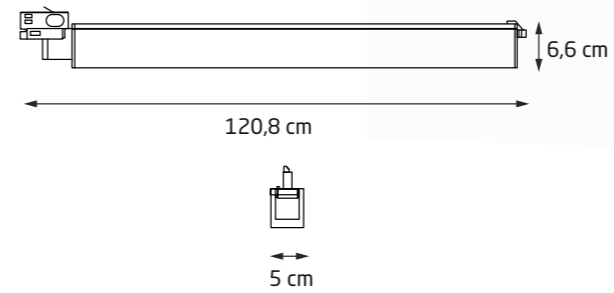




LAMPY SZYNOWE
/
TRACK LIGHT



LINEAR		LED int(W)	INC	⚡	adj°	☀️	🌈	CRI	💧	📐	📦	IES	
S0009	WH	18W	✓	230V	—	1700lm	4000K	80	IP20	100°	—	✓	✓
S0007	BK	18W	✓	230V	—	1700lm	4000K	80	IP20	100°	—	✓	✓

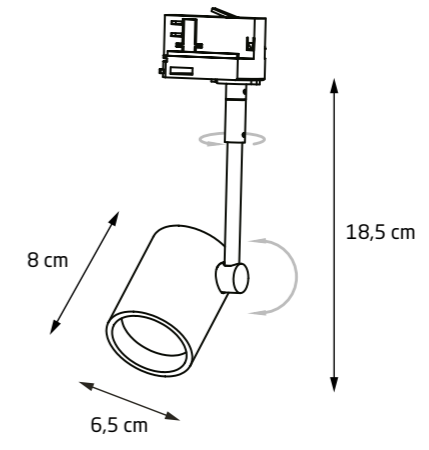


LINEAR		LED int(W)	INC	⚡	adj°	☀️	🌈	CRI	💧	📐	📦	IES	
S0010	WH	36W	✓	230V	—	3400lm	4000K	80	IP20	100°	—	✓	✓
S0008	BK	36W	✓	230V	—	3400lm	4000K	80	IP20	100°	—	✓	✓



SHINEMAKER

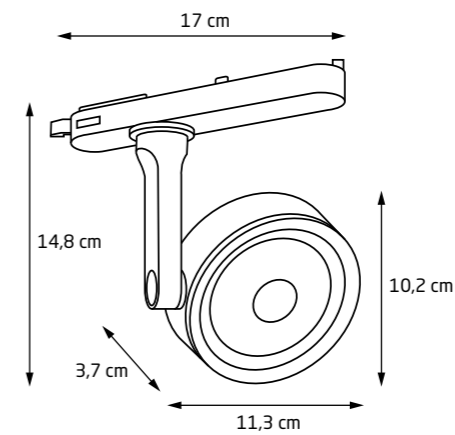
		LED intell	INC	⚡	adj°	☀️	🌈	CRI	IP	📐	🔌	👁️	📦	IES	
S0015	WH	15W	✓	230V	✓	1327lm	3000K	90+	IP20	36°	TRIAC	Ø 68MM	✓	✓	✓
S0016	BK	15W	✓	230V	✓	1327lm	3000K	90+	IP20	36°	TRIAC	Ø 68MM	✓	✓	✓
HONEYCOMB													✓		
RING GOLD	SG												✓		



OTIUM								
S0004	WH	GU10	50W	230V	✓	IP20	OPT.	✓
S0003	BK	GU10	50W	230V	✓	IP20	OPT.	✓

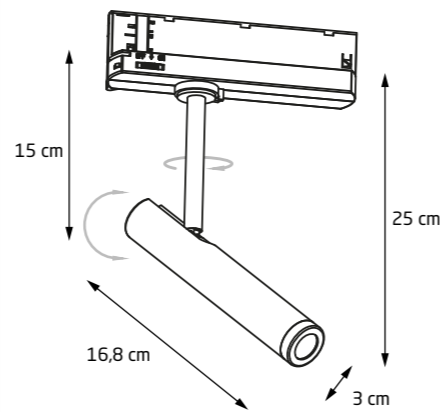


OTIUM								
S0011	BK	GU10	2 x 50W	230V	✓	IP20	OPT.	✓



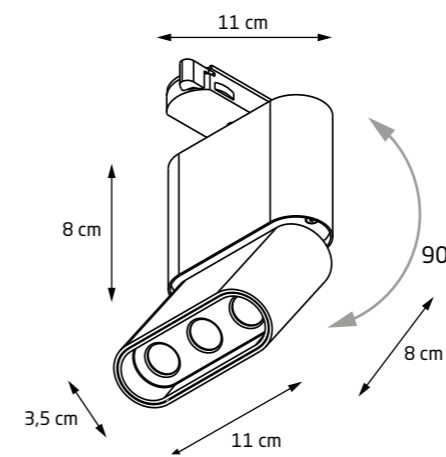
CHARON

		LED Int(W)	INC	⚡	adj°	☀️	🌈	CRI	💧	📐	📦	IES
S0013	WH	15W	✓	230V	✓	1327lm	3000K	90+	IP20	38°	—	✓
S0014	BK	15W	✓	230V	✓	1327lm	3000K	90+	IP20	38°	—	✓



PISTOL

	LED int(W)	INC	⚡	adj°	☀️	🌈	CRI	💧	🔺	⊙	3D	IES	
S0005	WH	12W	✓	230V	✓	750lm	3000K	90	IP20	25°	—	✓	✓
S0006	BK	12W	✓	230V	✓	750lm	3000K	90	IP20	25°	—	✓	✓



MARVEL

	LED int(W)	INC	⚡	adj°	☀️	🌈	CRI	💧	🔺	⊙	3D	IES	
S0001	WH	12W	✓	230V	✓	706lm	3000K	90	IP20	18°	—	✓	✓

The image shows a modern interior space. At the top, a black track lighting system is mounted on a white ceiling, with several circular spotlights illuminated. Below, a white modular shelving unit is mounted on a light-colored wall. The unit consists of various sized rectangular shelves and cabinets, some of which are open, displaying books and decorative objects. A framed picture hangs on the wall to the left, and a floor lamp is visible in the lower center. The overall aesthetic is clean and minimalist.

SYSTEMY OŚWIETLENIA
SZYNOWEGO 3F MAXLIGHT

/

3F MAXLIGHT TRACK
LIGHTING SYSTEMS



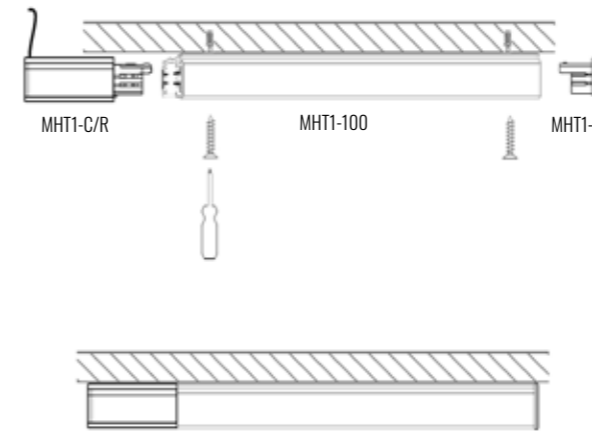
3-fazowe systemy oświetlenia szynowego mają bardzo praktyczne zastosowanie i można ich używać w różnych typach wnętrz. Szerokie możliwości wykorzystania kierunkowych opraw szynowych pozwalają wyróżnić wybrane elementy w Twoim mieszkaniu oraz niezależnie od siebie oświetlić poszczególne strefy.

3-circuits Track Lighting Systems can be configured for practical purposes and used in different interiors. Flexibility of directional spotlight fixtures can highlight particular items in your apartment and illuminate specific zones separately. In easy way you can set up own system which enable to illuminate precisely complicated spaces, according to your needs.

System oświetlenia szynowego MAXLIGHT występuje w wersji natynkowej lub może być podwieszany przy zastosowaniu odpowiednich akcesoriów.

MAXLIGHT track lighting system is available in surface version or can be suspended with suitable accessories for suspension.

ryc.1 Montaż szyny do sufitu / Track - ceiling mounting



Użyte komponenty/Components used:



SHINEMAKER S0015



PISTOL S0005

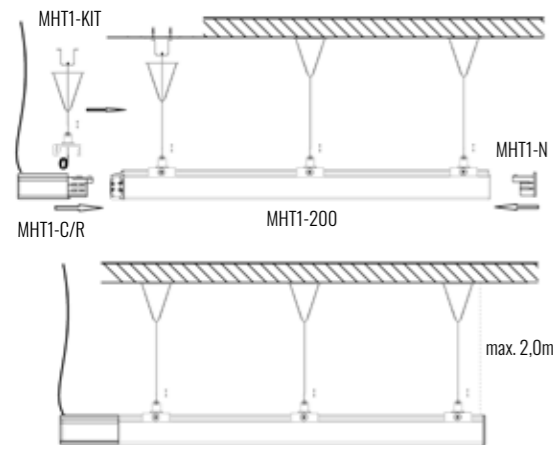


OTIUM S0004



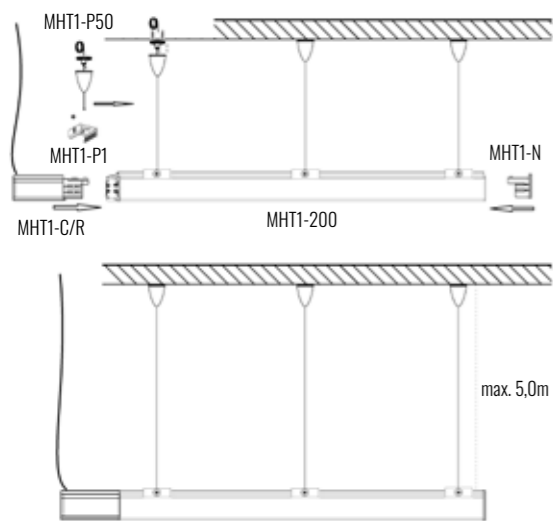
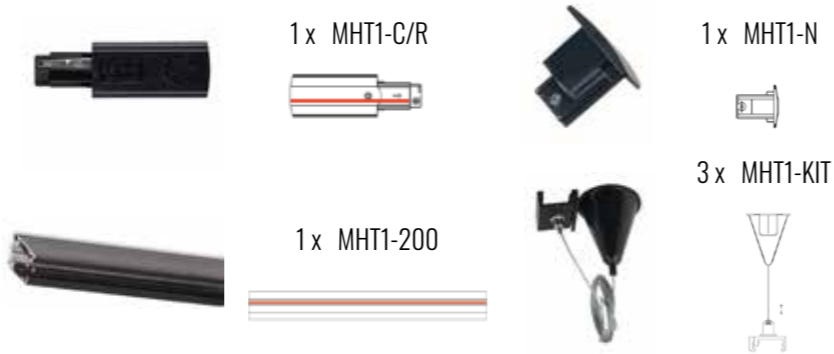
CHARON S0013

**UWAGA! MONTAŻU POWINNA DOKONAĆ OSOBA POSIADAJĄCA ODPOWIEDNIE UPRAWNIENIA
CAUTION! INSTALLATION MUST BE PERFORMED BY AN AUTHORIZED TECHNICIAN**



ryc.2a Zawieszenie szyny przy użyciu zestawu do zawieszenia MHT1-KIT (max. dł. zwisu 2,0m) / Suspension of track using suspension kit MHT1-KIT (max. suspension length 2,0m)

Użyte komponenty/Components used:



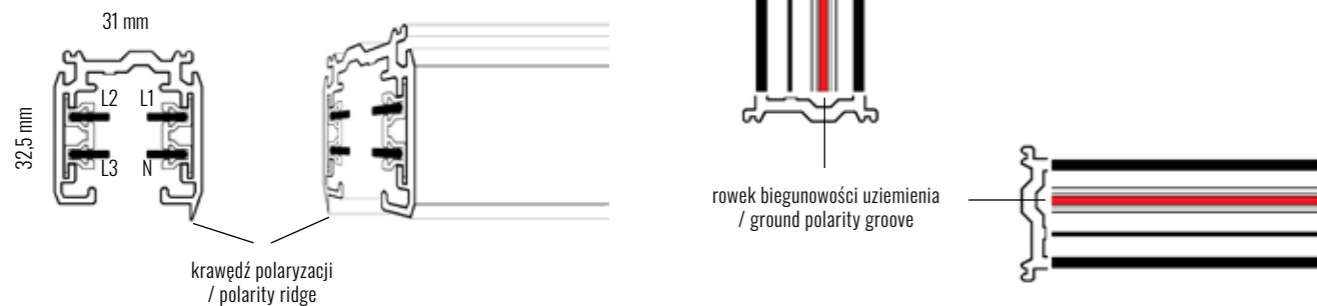
ryc.2b Zawieszenie szyny przy użyciu akcesoriów: zawiasie linkowe MHT1-P50 + uchwyt do szyn krótki MHT1-P1 (max. dł. zwisu 5,0m) / Suspension of track using accessories: track suspension MHT1-P50 + standard short clamp for track MHT1-P1 (max. suspension length 5,0m)

Użyte komponenty/Components used:



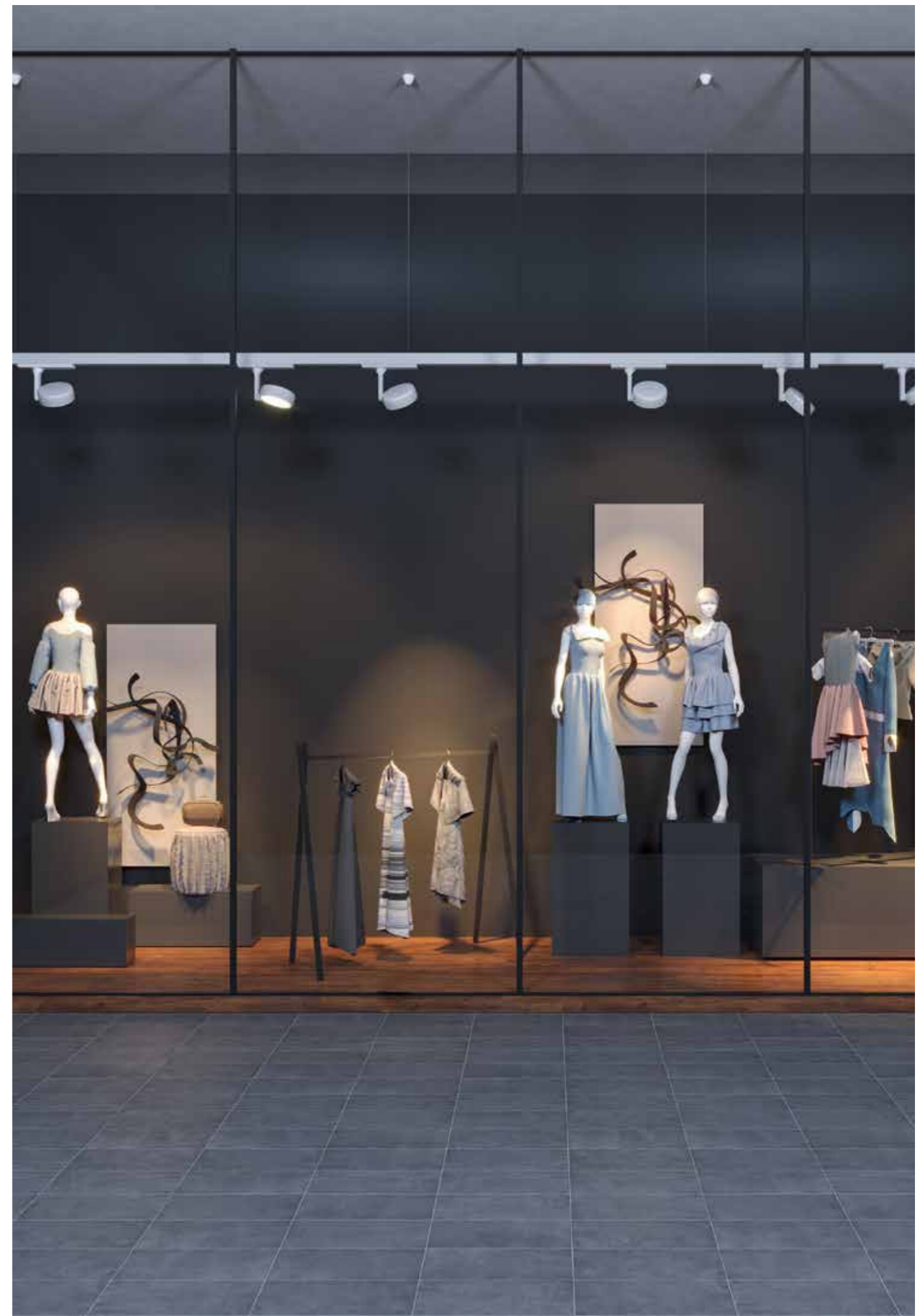
ryc.3 Przekrój szyny / Track section

L1, L2, L3 - faza 1, 2, 3 / phase (live conductor) 1, 2, 3
N- przewód neutralny / neutral conductor



Przy planowaniu systemu szynowego należy zachować ciągłość polaryzacji. Jak pokazano na schematach przykładowych systemów (strona 140-145), czerwona linia wskazuje rowek polaryzacji uziemienia w szynie.

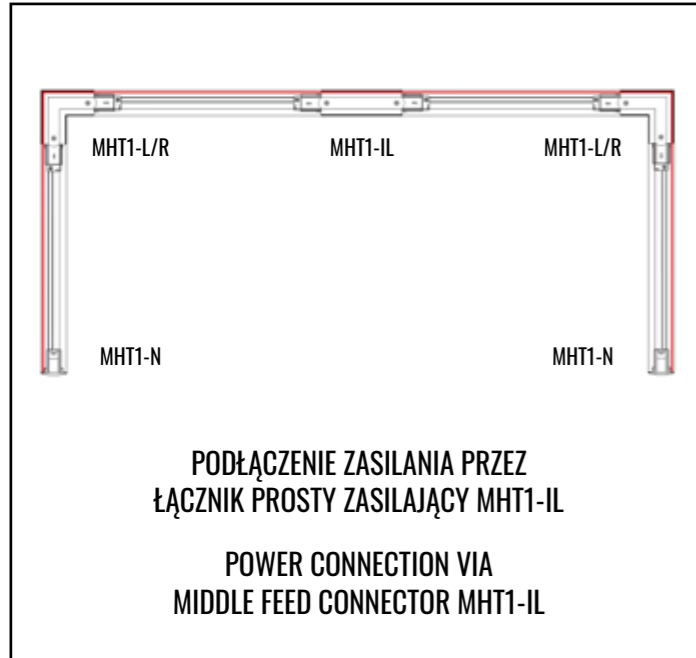
When planning a track layout continuous polarity is necessary. As shown in diagrams (page 140-145) the red line indicates ground polarity groove on the track.



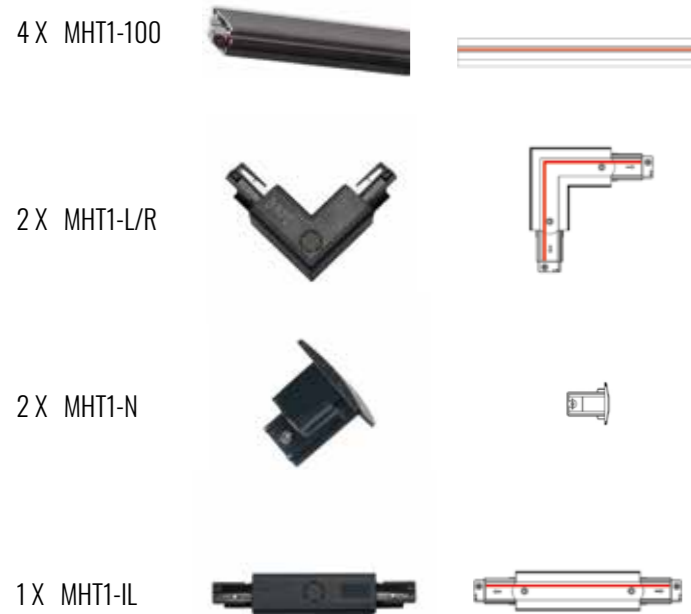
Przedstawione poniżej schematy przedstawiają niektóre z popularnych układów, które można łatwo zbudować za pomocą naszych komponentów systemów szynowych MAXLIGHT. Sprawdź położenie rowka na schemacie, aby upewnić się, że zachowana jest właściwa polaryzacja.

Below listed diagrams shows some of popular layouts easy to build up with our MAXLIGHT track systems components. Check the groove position on the diagram to ensure correct polarity.

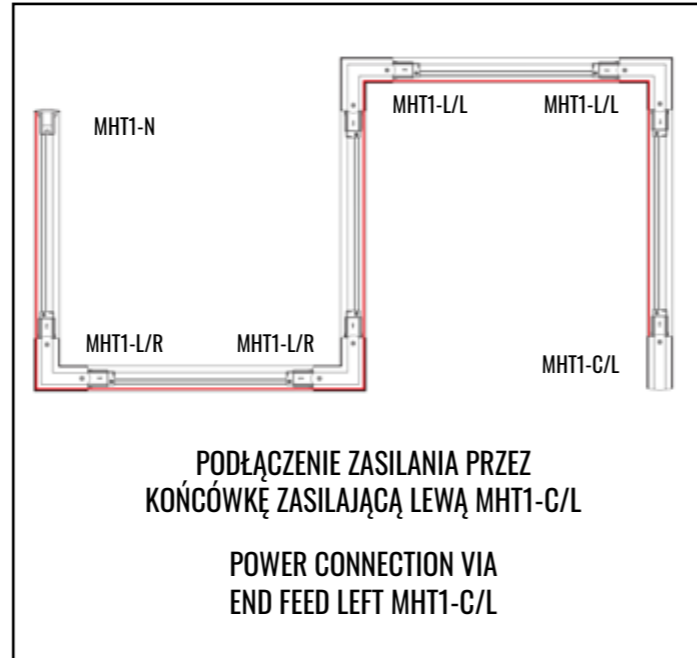
SYSTEM PODKOWA



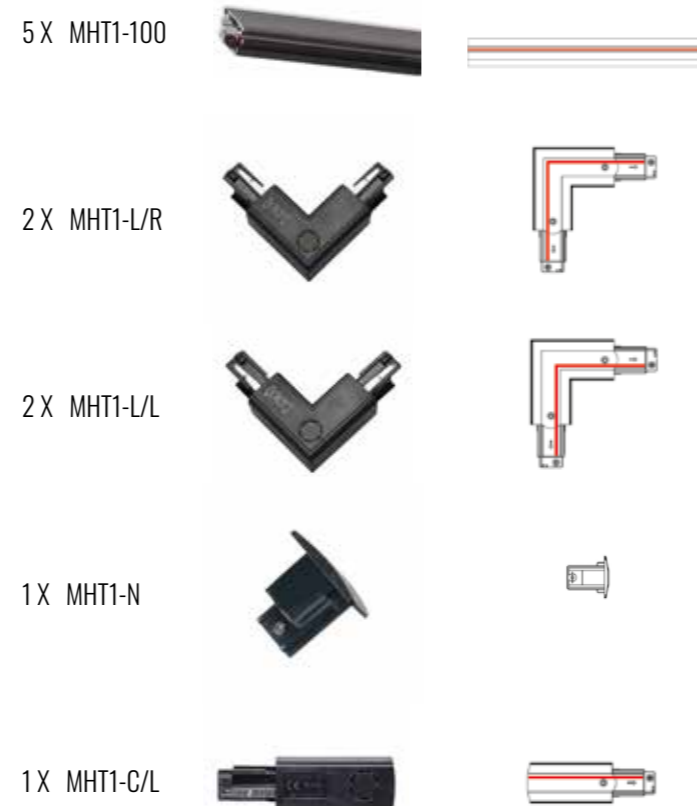
UŻYTE KOMPONENTY/COMPONENTS USED:



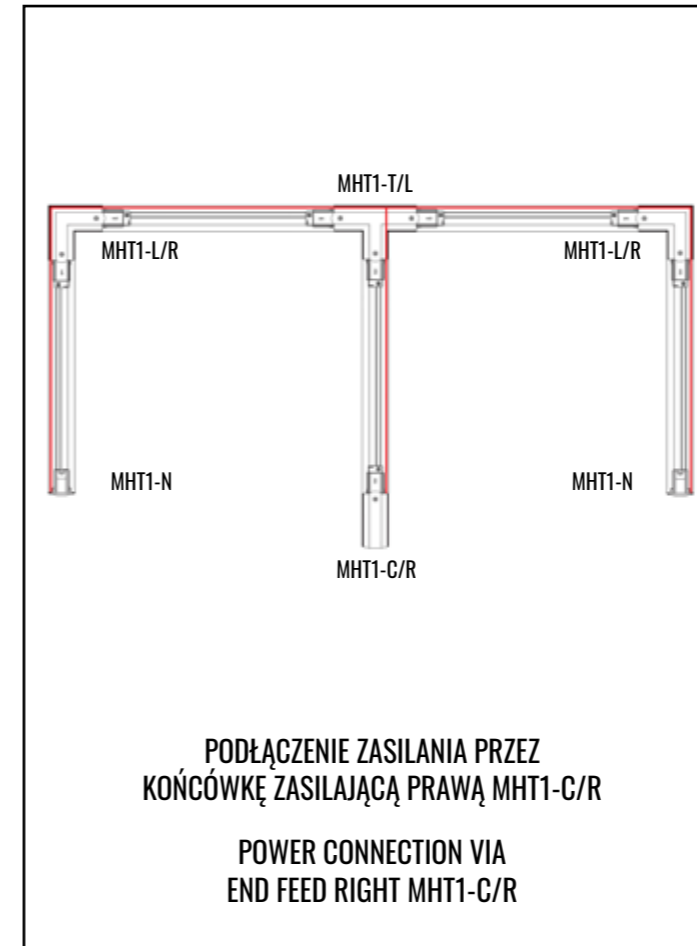
SYSTEM ES



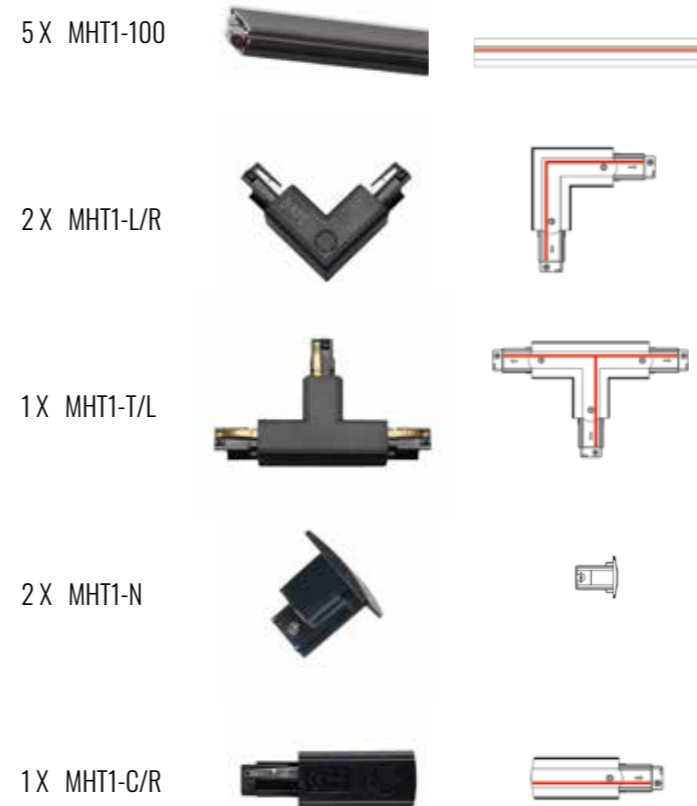
UŻYTE KOMPONENTY/COMPONENTS USED:



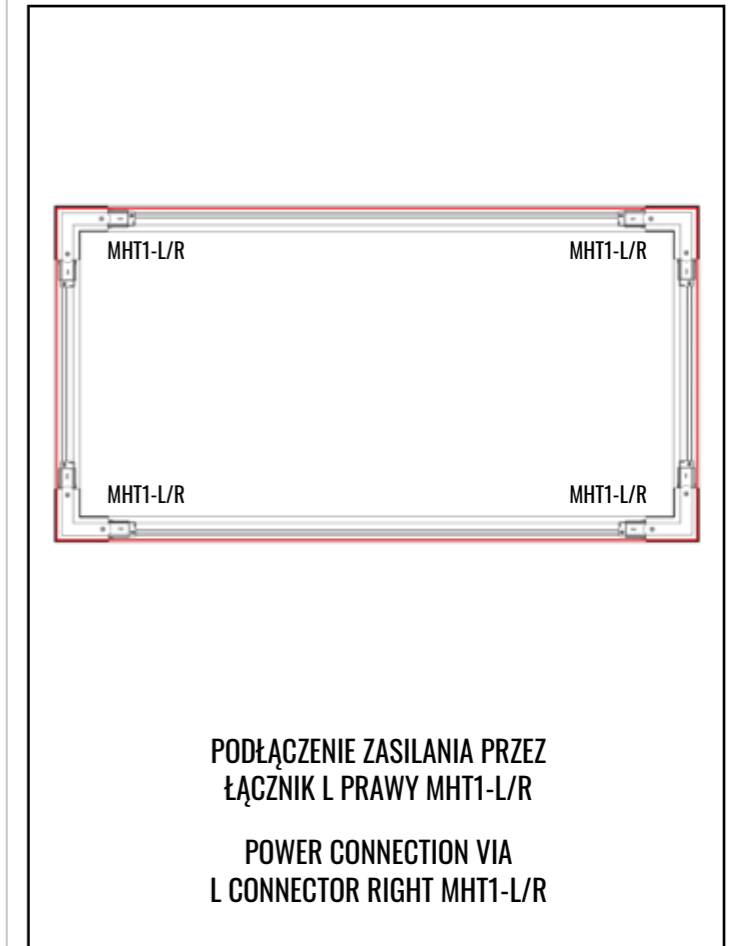
SYSTEM EM



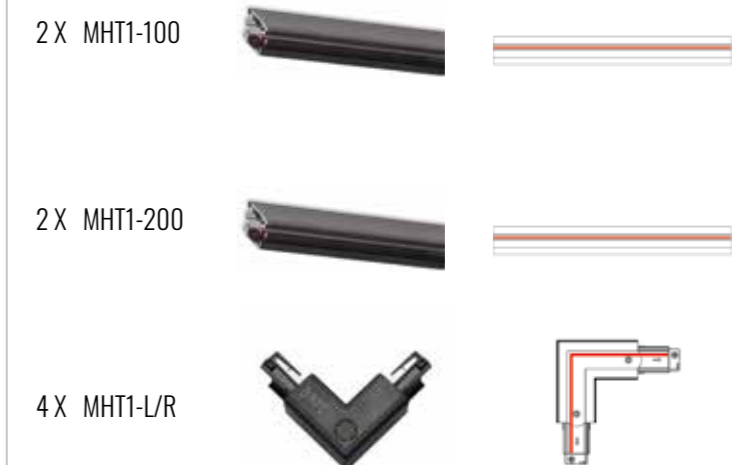
UŻYTE KOMPONENTY/COMPONENTS USED:



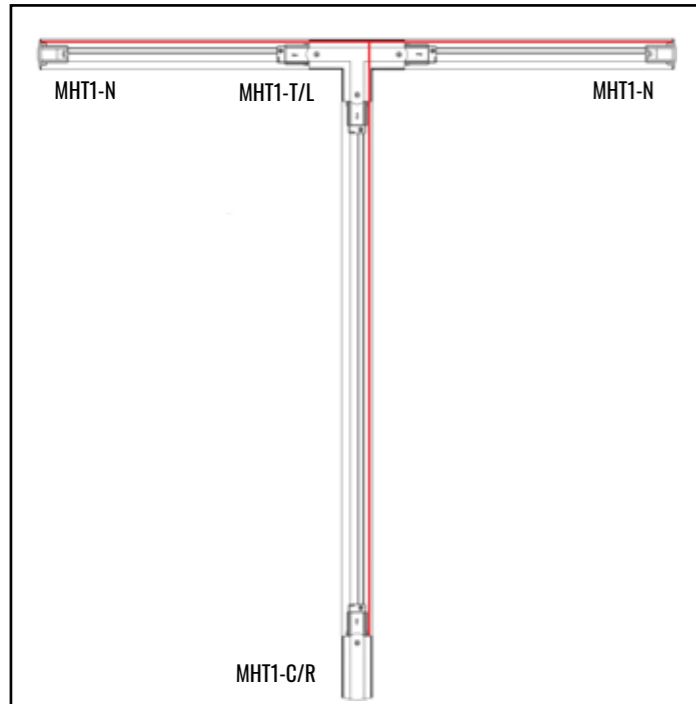
SYSTEM PROSTOKĄT



UŻYTE KOMPONENTY/COMPONENTS USED:



SYSTEM TE 1



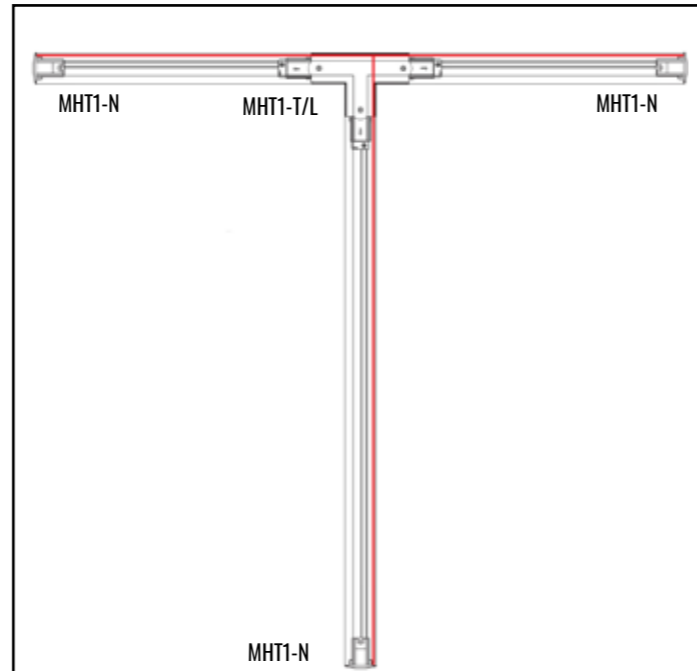
PODŁĄCZENIE ZASILANIA PRZEZ
KOŃCÓWKĘ ZASILAJĄCĄ PRAWĄ MHT1-C/R

POWER CONNECTION VIA
END FEED RIGHT MHT1-C/R

UŻYTE KOMPONENTY/COMPONENTS USED:



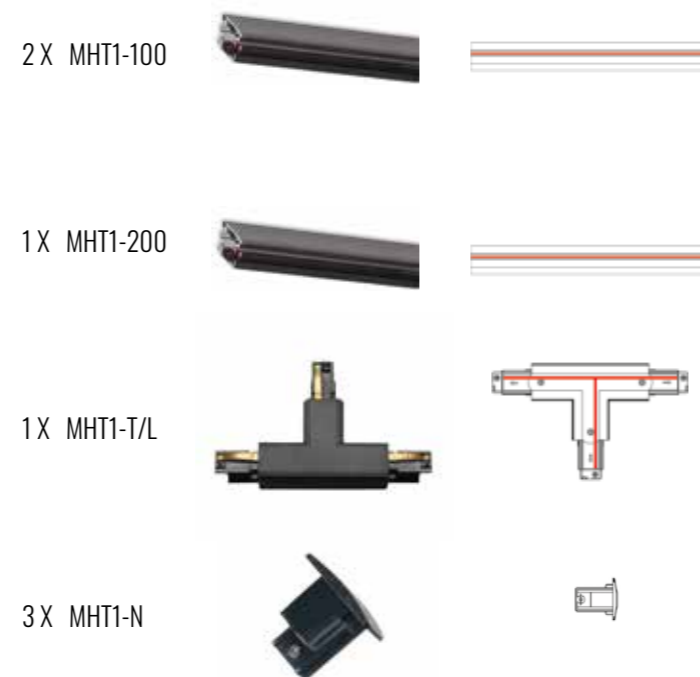
SYSTEM TE 2



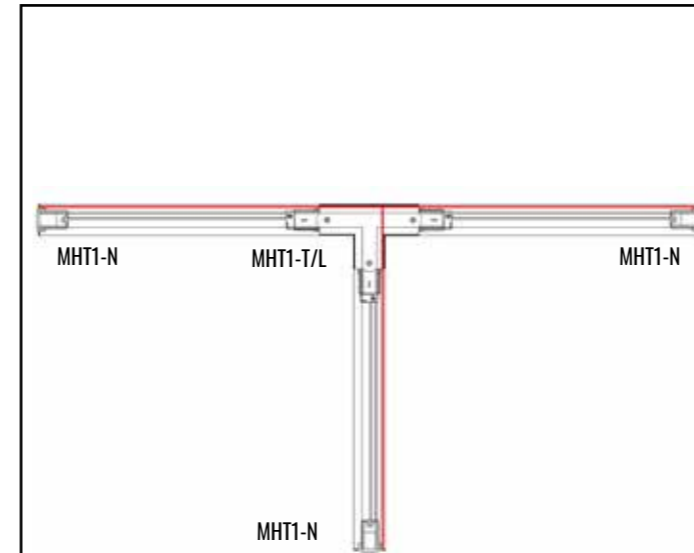
PODŁĄCZENIE ZASILANIA PRZEZ
ŁĄCZNIK T LEWY MHT1-T/L

POWER CONNECTION VIA
T CONNECTOR LEFT MHT1-T/L

UŻYTE KOMPONENTY/COMPONENTS USED:



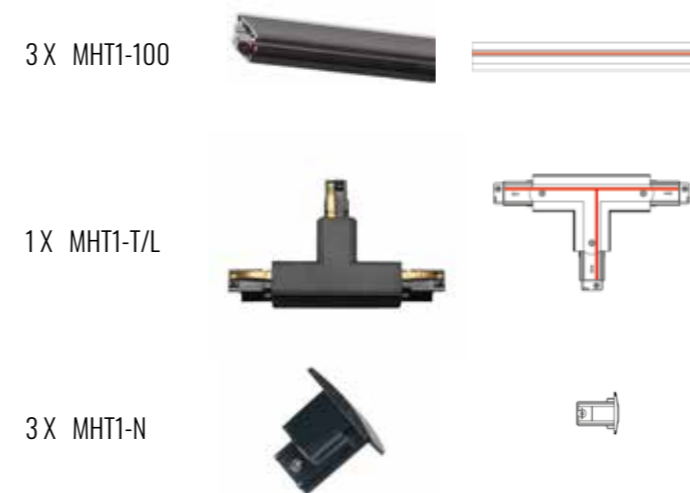
SYSTEM TE 3



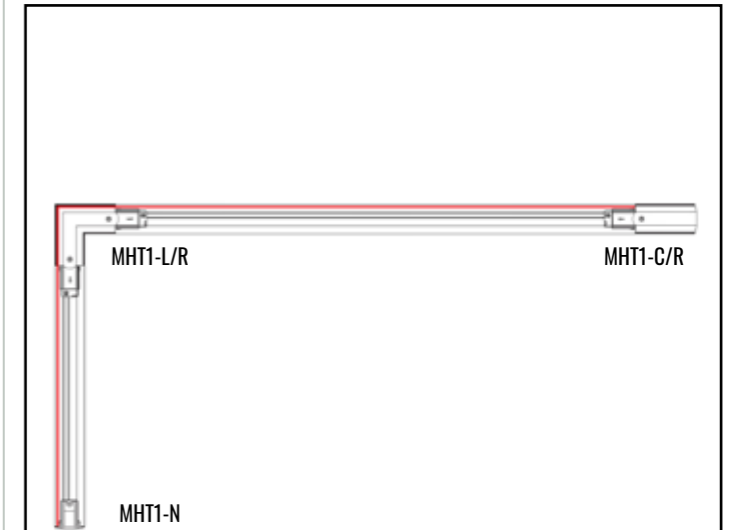
PODŁĄCZENIE ZASILANIA PRZEZ
ŁĄCZNIK T LEWY MHT1-T/L

POWER CONNECTION VIA
T CONNECTOR LEFT MHT1-T/L

UŻYTE KOMPONENTY/COMPONENTS USED:



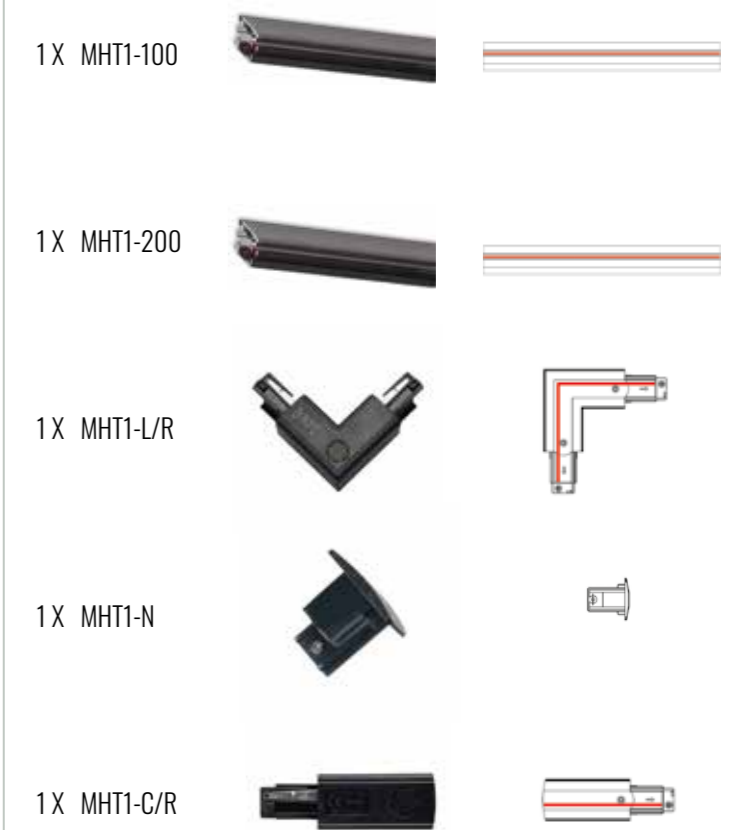
SYSTEM EL



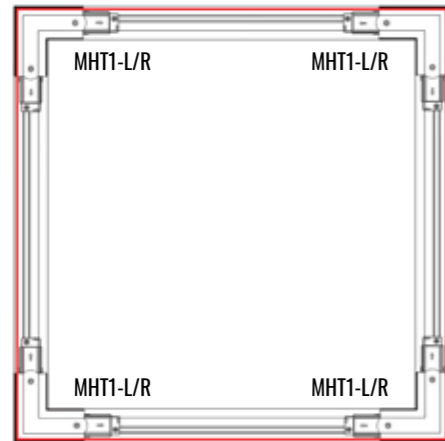
PODŁĄCZENIE ZASILANIA PRZEZ
KOŃCÓWKĘ ZASILAJĄCĄ PRAWĄ MHT1-C/R

POWER CONNECTION VIA
END FEED RIGHT MHT1-C/R

UŻYTE KOMPONENTY/COMPONENTS USED:



SYSTEM KWADRAT



PODŁĄCZENIE ZASILANIA PRZEZ
ŁĄCZNIK L PRAWY MHT1-L/R

POWER CONNECTION VIA
L CONNECTOR RIGHT MHT1-L/R

UŻYTE KOMPONENTY/COMPONENTS USED:

4 X MHT1-100



4 X MHT1-L/R



SYSTEM PROSTY 1



PODŁĄCZENIE ZASILANIA PRZEZ
KOŃCÓWKĘ ZASILAJĄCĄ PRAWĄ MHT1-C/R

POWER CONNECTION VIA
END FEED RIGHT MHT1-C/R

UŻYTE KOMPONENTY/COMPONENTS USED:

1 X MHT1-100



1 X MHT1-N



1 X MHT1-C/R



SYSTEM PROSTY 2



PODŁĄCZENIE ZASILANIA PRZEZ
KOŃCÓWKĘ ZASILAJĄCĄ PRAWĄ MHT1-C/R

POWER CONNECTION VIA
END FEED RIGHT MHT1-C/R

UŻYTE KOMPONENTY/COMPONENTS USED:

2 X MHT1-100



1 X MHT1-I



1 X MHT1-N



1 X MHT1-C/R



SYSTEM PROSTY 3



PODŁĄCZENIE ZASILANIA PRZEZ
ŁĄCZNIK PROSTY ZASILAJĄCY MHT1-IL

POWER CONNECTION VIA
MIDDLE FEED CONNECTOR MHT1-IL

UŻYTE KOMPONENTY/COMPONENTS USED:

2 X MHT1-100



1 X MHT1-IL



2 X MHT1-N



AKCESORIA SYSTEMÓW SZYNOWYCH 3F/ 3F TRACK SYSTEMS ACCESSORIES

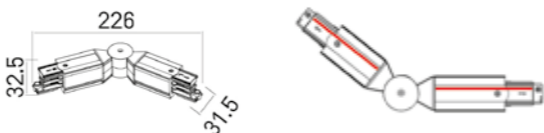
WYKOŃCZENIE / FINISH **WH** BIAŁY / WHITE **BK** BLACK / CZARNY



MHT1-AD-BK **BK** ADAPTER SZYNOWY
MHT1-AD-WH **WH** TRACK ADAPTER



MHT1-A-BK **BK** ŁĄCZNIK ŁAMANY
MHT1-A-WH **WH** ADJUSTABLE CONNECTOR



MHT1-C/L-BK **BK** KOŃCÓWKA ZASILAJĄCA LEWA
MHT1-C/L-WH **WH** END FEED LEFT



MHT1-C/R-BK **BK** KOŃCÓWKA ZASILAJĄCA PRAWA
MHT1-C/R-WH **WH** END FEED RIGHT



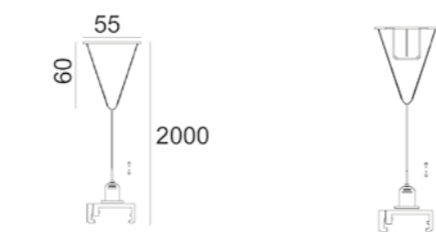
MHT1-I-BK **BK** ŁĄCZNIK WEWNĘTRZNY
MHT1-I-WH **WH** INTERNAL STRAIGHT CONNECTOR



MHT1-IL-BK **BK** ŁĄCZNIK PROSTY ZASILAJĄCY
MHT1-IL-WH **WH** MIDDLE FEED CONNECTOR



MHT1-KIT-BK **BK** ZAWIESIE LINKOWE Z REGULACJĄ 2,0M
MHT1-KIT-WH **WH** TRACK SUSPENSION KIT 2,0M WITH ADJUSTMENT



MHT1-L/L-BK **BK** ŁĄCZNIK „L” LEWY
MHT1-L/L-WH **WH** L CONNECTOR LEFT



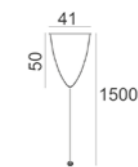
MHT1-L/R-BK **BK** ŁĄCZNIK „L” PRAWY
MHT1-L/R-WH **WH** L CONNECTOR RIGHT



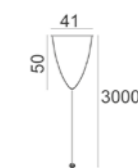
MHT1-N-BK **BK** ZAŚLEPKA MASKUJĄCA
MHT1-N-WH **WH** END CAP



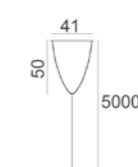
MHT1-P15-BK **BK** ZAWIESIE LINKOWE 1,5M
MHT1-P15-WH **WH** TRACK SUSPENSION WITHOUT CLAMP 1,5M



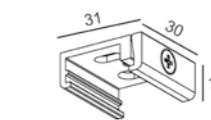
MHT1-P30-BK **BK** ZAWIESIE LINKOWE 3M
MHT1-P30-WH **WH** TRACK SUSPENSION WITHOUT CLAMP 3M



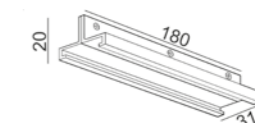
MHT1-P50-BK **BK** ZAWIESIE LINKOWE 5M
MHT1-P50-WH **WH** TRACK SUSPENSION WITHOUT CLAMP 5M



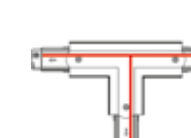
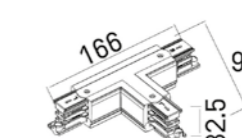
MHT1-P1-BK **BK** UCHWYT DO SZYN KRÓTKI STANDARD
MHT1-P1-WH **WH** SHORT CLAMP FOR TRACK



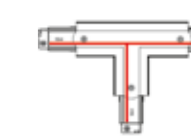
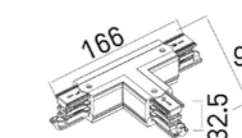
MHT1-P2-BK **BK** UCHWYT DO SZYN DŁUGI SUSPENSION
MHT1-P2-WH **WH** CLAMP FOR TRACK CONNECTIONS



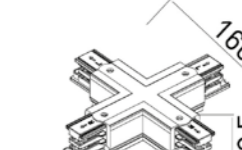
MHT1-T/L-BK **BK** ŁĄCZNIK „T” LEWY
MHT1-T/L-WH **WH** CONNECTOR LEFT



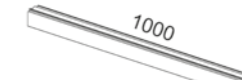
MHT1-T/R-BK **BK** ŁĄCZNIK „T” PRAWY
MHT1-T/R-WH **WH** CONNECTOR RIGHT



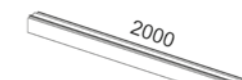
MHT1-X-BK **BK** ŁĄCZNIK-X
MHT1-X-WH **WH** X-CONNECTOR



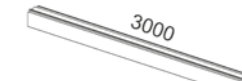
MHT1-100-BK **BK** SZYNA PRĄDOWA 3-FAZOWA 1M
MHT1-100-WH **WH** 3-CIRCUIT TRACK



MHT1-200-BK **BK** SZYNA PRĄDOWA 3-FAZOWA 2M
MHT1-200-WH **WH** 3-CIRCUIT TRACK



MHT1-300-BK **BK** SZYNA PRĄDOWA 3-FAZOWA 3M
MHT1-300-WH **WH** 3-CIRCUIT TRACK



SPIS TRESCI (ALFABETYCZNIE) / INDEX

AKCESORIA 3F	146	LINEAR	11, 95, 125
AQUA	55	LONG	9
ARAXA	89	LOVE	17
ARTU	13	MARVEL	23, 133
ARYA	57	MATRIX	83
BARRO	15	OTIUM	129
BASIC ROUND	37	PAXO	85
BASIC SQUARE	39	PET ROUND	31
BELLATRIX BATH	61	PISTOL	132
BELLATRIX SIDE	59	PLAZMA	21, 51
BELLATRIX TILTED	63	RIDER	97
CHARON	41, 131	ROUNDY	35
CHIP	29	SABRE	99
COFFE	113	SALVADOR	100
COMET	91, 115	SHELF	101
CYKLOP	67	SHINEMAKER	25, 53, 127
DEEP	69	SIGNAL	75
DOT	19	SPIDER	103, 119
ETNA	45	SQUARE	79
FIGARO	117	SUPERIOR	105
FINE	71	SYSTEMY 3F	135
FINGER	92	TIME	49
FORM	43	TOP	107
GALEXO	73	TUB	27
HANA	96, 116	YUCA	65
HIDDEN	77	ZAFIRA	108
HIT	81	ZONE	109
KODAK	33		

Opublikowane w niniejszym katalogu zdjęcia, dane i rysunki techniczne mają charakter poglądowy. Zdjęcia mogą nie oddawać w pełni barwy opraw, co wynika ze specyfiki druku. Pomimo dołożenia przez nas wszelkich starań podczas procesu przygotowywania katalogu, Maxlight nie ponosi odpowiedzialności za ewentualne powstałe błędy. Maxlight zastrzega sobie prawo modyfikowania opraw zawartych w tym katalogu.

Photos, data and drawings published in this catalogue are for illustration only. Photos may not give proper colours of the luminaire due to the character of printing. Despite our best efforts during the catalogue preparation process we are not responsible for possible mistakes. Maxlight reserves the right to modify luminaires in this catalogue



MAXLIGHT

kontakt / contact us

zamowienia.home@maxfliz.pl

+48 12 21 12 166

Zakopiańska 58, Kraków, Polska

dowiedz sie więcej / find out more

www.max-light.com.pl

 [maxlight_polska](https://www.instagram.com/maxlight_polska)

 [maxlightshop](https://www.facebook.com/maxlightshop)



WWW.MAX-LIGHT.COM.PL